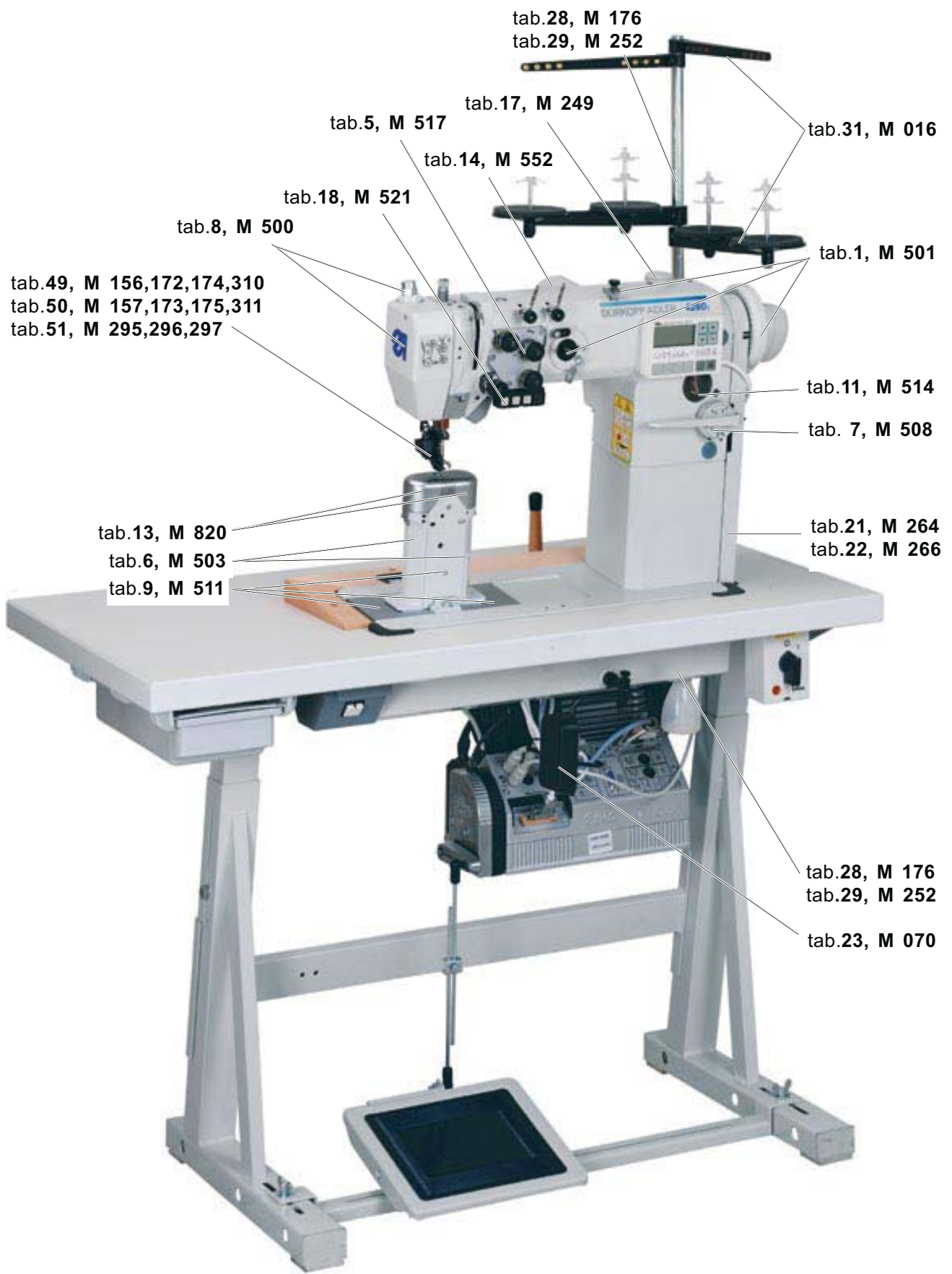




Spare parts list

4280i - 6



tab.28, M 176
tab.29, M 252

tab.5, M 517
tab.17, M 249

tab.31, M 016

tab.14, M 552

tab.18, M 521

tab.8, M 500

tab.1, M 501

tab.49, M 156,172,174,310
tab.50, M 157,173,175,311
tab.51, M 295,296,297

tab.11, M 514

tab. 7, M 508

tab.13, M 820

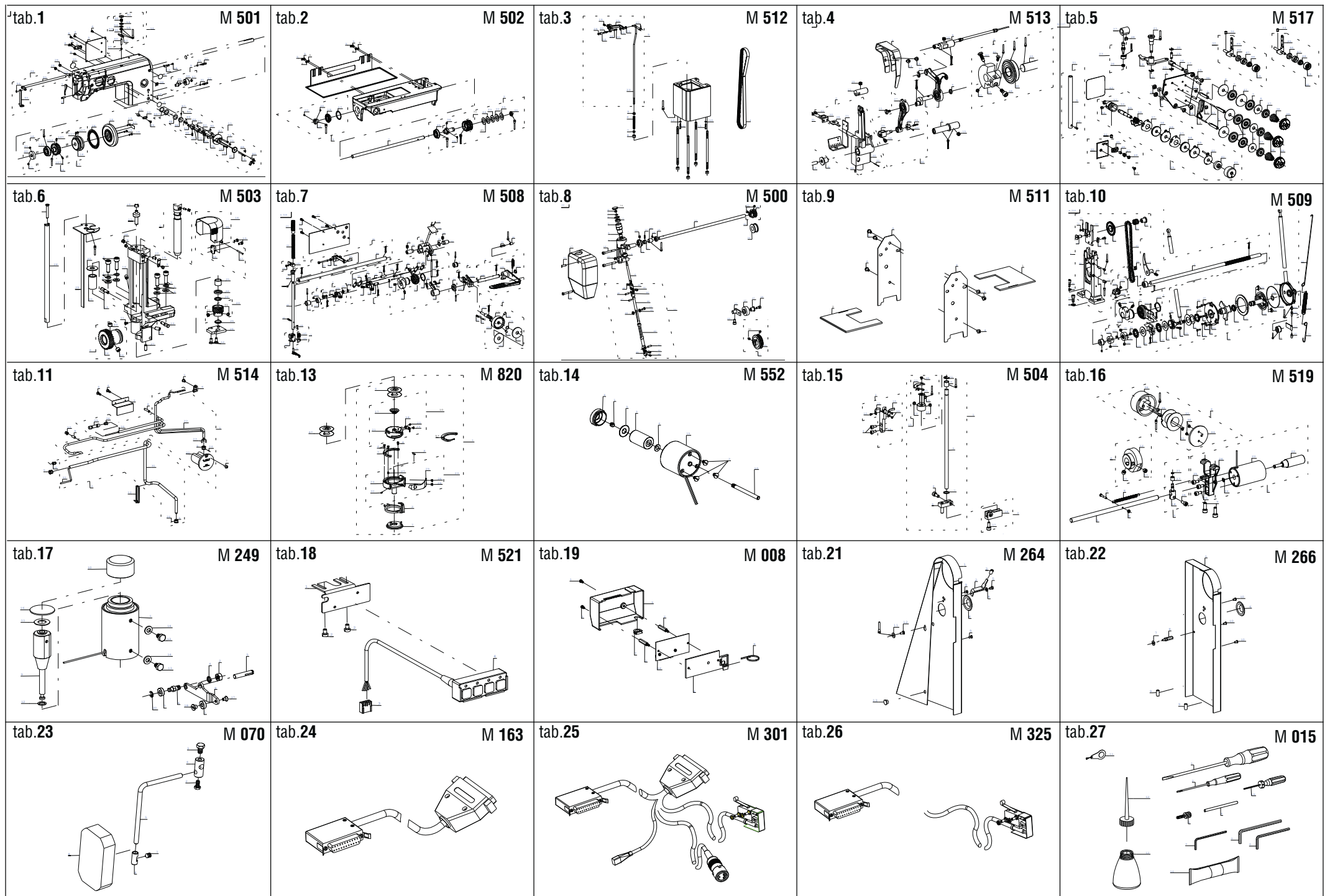
tab.6, M 503

tab.9, M 511

tab.21, M 264
tab.22, M 266

tab.28, M 176
tab.29, M 252

tab.23, M 070



<p>tab.28 M 176</p>	<p>tab.29 M 252</p>	<p>tab.30 M 300</p>	<p>tab.31 M 016</p>	<p>tab.34 M 094</p>
<p>tab.35 M 071</p>	<p>tab.36 M 072</p>	<p>tab.37 M 073</p>	<p>tab.38 M 095</p>	<p>tab.39 M 152</p>
<p>tab.40 M 167</p>	<p>tab.41 M 306</p>	<p>tab.42 M 111,029,030,031,114,115,032,116,117,118,119</p>	<p>tab.43 M 153,168,169,307,308,309</p>	<p>tab.44 M 010</p>
<p>tab.45 Z 012</p>	<p>tab.46 M 018</p>	<p>tab.47 M 149</p>	<p>tab.48 M 055,058,059,060,132,133,134,135,194,242,516,520</p>	<p>tab.49 M 156,172,174,310</p>
<p>tab.50 M 157,173,175,311</p>	<p>tab.51 M 295,296,297</p>			

How to read the spare parts list :

- The list is grouped according to construction modules. A module is a group of parts fulfilling in the machine a concrete function. The abbreviated module designation is given in the left top corner both of the drawing and of the text. The complete module designation (as given in the delivery note) is related to the abbreviated designation as follows:

Abbreviated Complete
MXXX = S980 000XXX


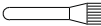
Items in the order are presented under complete code (ten-digit number)

- This catalogue is common for a number of machine models whose type designation agrees with the first five digits printed on the catalogue cover. The complete type designation of the machine is then used for identifying the modules (lists of parts) mounted on the machine in question.

The complete type designation has the following structure:

XXXX - XXX - XXX
Class Subclass Sewing category

The contents is divided into sections corresponding to this structure. A table situated at the head of each section gives information on which modules are applied to a particular machine model. The machine class and subclass are printed on the label situated on the machine bed plate and visible with tilted machine head. The sewing category is indicated on the tag supplied together with the machine.

- All items, the complete code (ten-digit number) of which are presented in the tables there is possible to order as spare parts.
- The symbol  shows that the part is to be lubricated by grease (used for the machine assembly).
- The symbol  shows that the part is glued (used for the machine assembly).

Parts marked in the drawings with the symbol * and with the remark * SPARE PARTS SUPPLIED WITH THE MACHINE are attached with head of machine.

CONTENTS :

Modules of machine head and of enclosed accessories

Abbreviated module No.	Ordering (complete) module No.	Denomination	Table No.
Class (modules identical for all subclasses)			
M 501		Machine arm	1
M 502		Bed plate	2
M 512		Post-bed	3
M 513		Needle and thread mechanism	4
M 517		Thread tensioner plate	5
M 503		Post-bed for sewing hook	6
M 508		Needle feeding	7
M 516	S980 000516	Feed carrier	48
M 500		Top roller drive	8
M 511	S980 000511	Covers of post	9
M 509		Bottom feed	10
M 514		Lubrication	11
Subclass			
-		Table of subclasses	12
M 820		Sewing hook	13
M 518	S980 000518	Electromagnetically controlled top roller lifting	14
M 504	S980 000504	Thread trimmer	15
M 519	S980 000519	Thread trimmer drive	16
M 249	S980 000249	Electromagnetically controlled backtacking	17
M 521	S980 000521	Push-button panel	18
M 008	S980 000008	Electrical switch board	19
M 520	S980 000520	Parts for machine without trimming	48

Abbreviated module No.	Ordering (complete) module No.	Denomination	Table No.
Parts sets			
-		Table of parts sets	20
	4200 001000	Parts set for V-belt drive (clutch motor)	20
	4200 007000	Parts set for V-belt drive (stopmotor EFKA)	20
	4200 007100	Parts set for V-belt drive (without stopmotor)	20
	4200 009000	Parts set for indented belt drive (minimotor EFKA)	20
	4200 009100	Parts set for indented belt drive (without minimotor) *	20
Sewing equipment			
-		Table of sewing equipment	32,33
	4280 E60100	Sewing set for needles 60-80 class 100	32
	4280 E60200	Sewing set for needles 80-110 class 200	32
	4280 E60300	Sewing set for needles 110-140 class 300	32
	4280 E60400	Sewing set for needles 140-160 class 400	32
Optional equipments			
M 010	S980 000010	Lighting	44
Z 012	S794 222012	Lighting halogen (12 V, 20 W - contains transformer)	45
M 018	S980 000018	Sewn work guide	46
M 149	S980 000149	Sewn work guide	47
M 242	S980 000242	Adjustable gauge	48
M 194	S980 000194	Rear guide holder	48
M 326	S980 000326	Top roller ø 25 mm cpl. (contain M 156,M 172)	49
M 327	S980 000327	Top roller ø 25 mm rubber coated cpl. (contain M 156,M 174)	49
M 328	S980 000328	Top roller ø 25 mm smooth cpl. (contain M 156,M 310)	49
M 329	S980 000329	Top roller ø 35 mm cpl. (contain M 157,M 173)	50
M 330	S980 000330	Top roller ø 35 mm rubber coated cpl. (contain M 157,M 175)	50
M 331	S980 000331	Top roller ø 35 mm smooth cpl. (contain M 157,M 311)	50
M 332	S980 000332	Top roller ø 45 mm, width 2.0 mm cpl. (contain M 295,M 296)	51
M 333	S980 000333	Top roller ø 45 mm, width 3.8 mm cpl. (contain M 295,M 297)	51

*Delivery is possible with another minimotor than EFKA.

Table of subclasses machines and remove modules

	Module												
	Sewing hook	Electrical switch board	Electromagnetically controlled top roller lifting	Thread trimmer	Set of parts	Thread trimmer drive	Electromagnetically controlled backtacking	Push-button panel					
Classe-subclasse	M 820	M 008	M 518	M 504	M 520	M 519	M 249	M 521					
4280i - 511	●				●								
4280i - 547	●	●	●	●		●	●	●					

Table of parts sets

(delivered with head of sewing machine)

Parts set	Cover of belt	Knee lever	Connecting cable	Standard accessories	Special accessories	Set for mini-stop	Enlarged bobbin stand
4200 001000	M 264 tab.21	M 070 tab.23		M 015 tab.27	M 176 tab.28		M 016 tab.31
4200 007000	M 264 tab.21	M 070 tab.23	M 163 tab.24	M 015 tab.27	M 176 tab.28		M 016 tab.31
4200 007100	M 264 tab.21	M 070 tab.23	M 055 tab.48	M 015 tab.27	M 176 tab.28		M 016 tab.31
4200 009000	M 266 tab.22	M 070 tab.23	M 301 tab.25	M 015 tab.27	M 252 tab.29	M 300 tab.30	M 016 tab.31
4200 009100	M 266 tab.22	M 070 tab.23	M 325 tab.26	M 015 tab.27	M 252 tab.29	M 300 tab.30	M 016 tab.31

Table of sewing equipment

Sewing equipment 4280i - 6

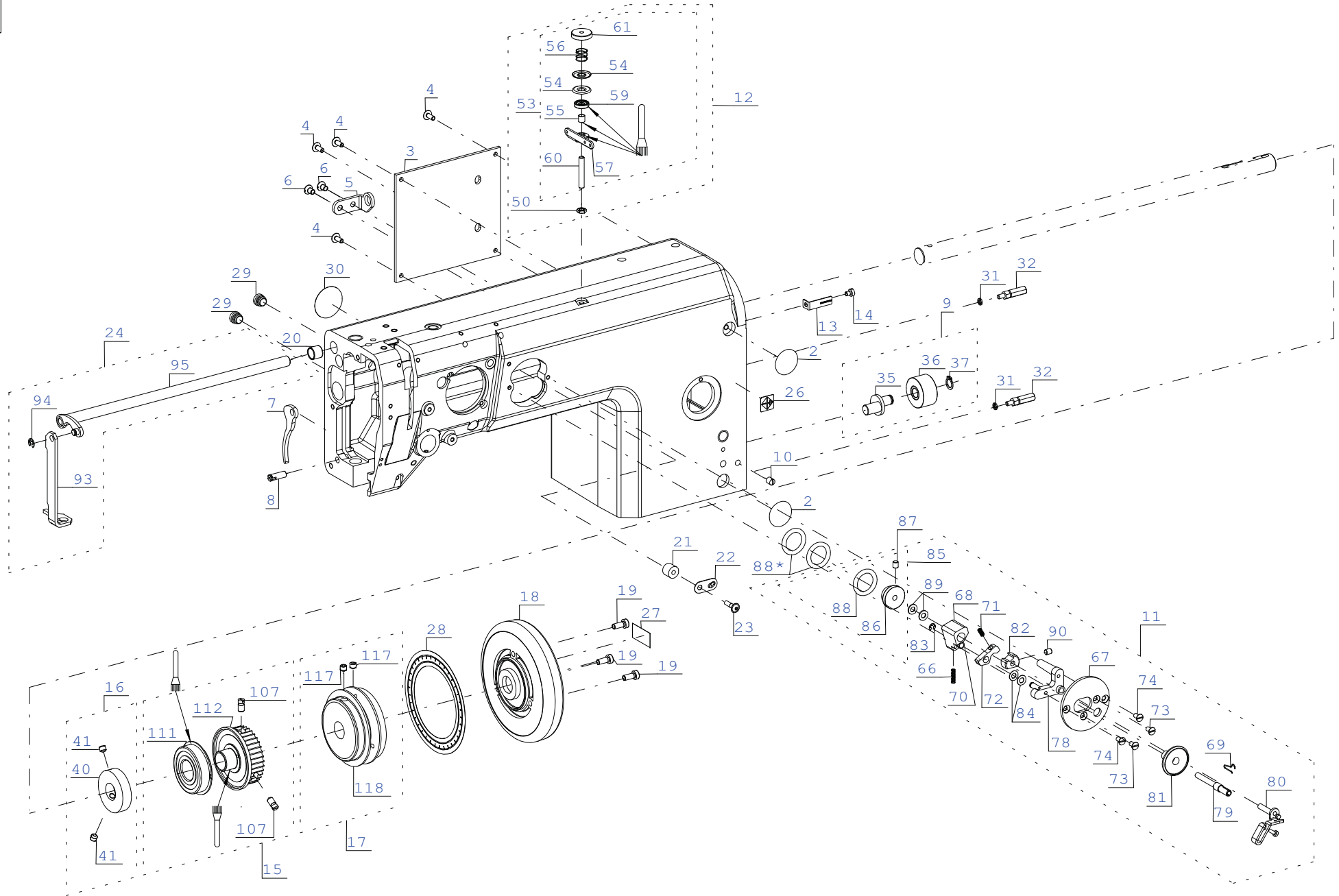
Class, subclass, sewing category	Sewing material	Equipment No.	(mm)	Distance between seams
4280i - 6XX - 100	light L	4280 E60100 *	1,2	
- 100	light L		1,6	
- 200	medium M	4280 E60200 *		
- 300	medium-heavy M - H			
- 200	medium M		2,0	
- 300	medium-heavy M - H	4280 E60300 *		
- 400	heavy H		2,4	
- 200	medium M			
- 300	medium-heavy M - H		2,4	
- 400	heavy H	4280 E60400 *		
- 400	heavy H		3,2	
M 095 tab.38				Throat plate cpl.
S080 811775			M 073 tab.37	Throat plate
S080 394168			S080 811773	Needle holder
-			S080 394202	Front needle guide
-			S080 623291	Front needle guide holder
S080 623289			S080 349213	Rear needle guide
			S080 623293	
			S080 623288	
			S080 623292	
M 119 tab.42			M 118 tab.42	Throat plate insert
2,4			M 117 tab.42	Needle aperture
M 135 tab.48			M 135 tab.48	Needle
134 KKLR-160			M 134 tab.48	Needle system and No.
			134 KKLR-160	Feed dog
M 058 tab.48			M 058 tab.48	Feed wheel
1,2			M 059 tab.48	Feed dog tooth pitch
			M 060 tab.48	Flat presser foot
M 173 tab.50			M 173 tab.50	Driven top roller
M 157 tab.50			M 157 tab.50	Holder for the top roller
ø 35 x 3,8			M 157 tab.50	Top roller diameter by width
			ø 35 x 3,8	

* unless otherwise specified by the customer, the respective standard configuration is supplied for the sewing category in question

Table of sewing equipment

Sewing equipment 4280i - 6

Class, subclass, sewing category	Sewing material	Equipment No.	Distance between seams (mm)	
4280i - 6XX - 200	medium M		2,0	Throat plate cpl. Throat plate Needle holder Front nee+uide Front needle guide holder Rear needle guide
- 200	medium M		2,4	M 152 tab.39 S080 811802 S080 394205
- 300	medium-heavy M - H			M 167 tab.40 S080 811813 S080 394206
- 200	medium M		3,6	M 152 tab.39 S080 811802 S080 394205
- 300	medium-heavy M - H			M 167 tab.40 S080 811813 S080 394206
- 400	heavy H			M 306 tab.41 S080 811783 S080 394161 S080 623300
				M 309 tab.43 M 135 tab.48 134 KKLR-160
				M 307 tab.43 M 133 tab.48 134 KKLR-90
				M 308 tab.43 M 134 tab.48 134 KKLR-130
				M 059 tab.48 1,2
				M 173 tab.50 M 157 tab.50 ø 35 x 3,8
				M 169 tab.43 M 134 tab.48 134 KKLR-130
				M 060 tab.48 0,4
				M 173 tab.50 M 157 tab.50 ø 35 x 3,8
				M 168 tab.43 M 133 tab.48 134 KKLR-90
				M 060 tab.48 0,4
				M 173 tab.50 M 157 tab.50 ø 35 x 3,8
				M 153 tab.43 1,5 M 133 tab.48 134 KKLR-90
				M 060 tab.48 0,4
				M 173 tab.50 M 157 tab.50 ø 35 x 3,8
				Throat plate insert Needle aperture Needle Needle system and No. Feed dog Feed wheel Feed dog tooth pitch Flat presser foot Driven top roller Holder for the top roller Top roller diameter by width



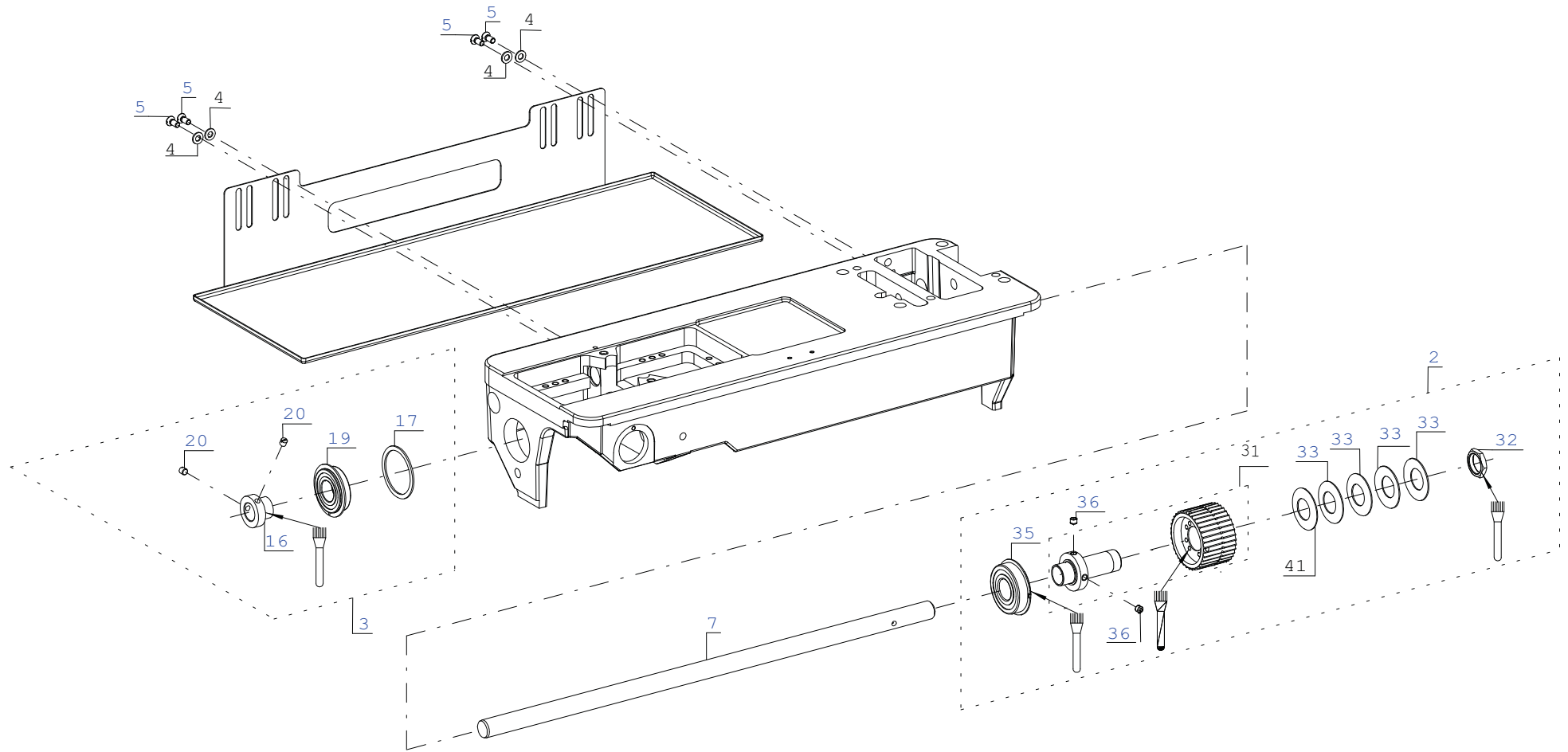
* SPARE PARTS SUPPLIED WITH THE MACHINE

From the library of: Superior Sewing Machine & Supply LLC

M 501

Pos. Det.	Dílec č. Part No.	Název	Denomination
2	S321 000000	ZÁTKA	PLUG
3	S080 831665	KRYT ZADNÍ	COVER BACK
4	S309 000410	ŠROUB M4 x 10	SCREW M4 x 10
5	S080 836476	KONZOLA	CONSOLE
6	S080 126102	ŠROUB M5 x 8	SCREW M5 x 8
7	S080 615021	ZVEDACÍ PÁKA	LIFTING LEVER
8	S080 310468	KOLÍK	PIN
9	S981 043510	NAPÍNACÍ Kladka ÚPL.	TENSION ROLLER CPL.
10	0244 000700	ŠROUB	SCREW
11	S981 036164	NAVÍJEČ	WINDER
12	S981 025290	VODIČ	GUIDE
13	S080 836485	ŠIPKA	ARROW
14	S309 738406	ŠROUB M4 x 6	SCREW M4 x 6
15	S981 045576	PÁSOVÉ KOLO ÚPLNÉ	BELT WHEEL CPL.
16	S981 045572	KOLO NAVÍJEČE ÚPLNÉ	WHEEL OF WINDER CPL.
17	S981 045570	ŘEMENICE ÚPLNÁ	PULLEY CPL.
18	S980 027610	RUČNÍ KOLO	HAND WHEEL
19	S309 798511	ŠROUB	SCREW
20	S323 007065	LOŽISKO KU 1010	BEARING KU 1010
21	S080 190707	DIŠTANČNÍ KROUŽEK	DISTANCE RING
22	0271 000260	Nůž	KNIFE
23	S309 000416	ŠROUB	SCREW
24	S981 043496	ZVEDACÍ HRÍDEL	LIFTING SHAFT
26	S080 955135	ŠTÍTEK KNOFLÍKU DÉLKY STEHU	LABEL RELATED TO STITCH LENGHT REGULATION KNOB
27	S080 955132	ŠIPKA SMĚRU OTÁČENÍ	ARROW OF ROTATION SENSE
28	S735 955136	STUPNICE RUČNÍHO KOLA	HAND WHEEL SCALE
29	S321 001000	ZÁTKA PE	PLUG
30	S735 953288	ŠTÍTEK	LABEL
31	S080 191120	PODLOŽKA	WASHER
32	S080 146058	ŠROUB	SCREW
35		VIZ POS. 9	SEE 9
36		VIZ POS. 9	SEE 9
37	9352 000090	POJ. KROUŽEK	RETAINING RING
40		VIZ POS. 16	SEE 16
41	0244 000700	ŠROUB	SCREW
50	S080 161138	MATICE	NUT
53	0221 110154	VODIČ ÚPLNÝ	GUIDE CPL.
54	0037 001280	PODLOŽKA NAPÍNAČE	WASHER OF TENSIONER
55		VIZ POS. 12	SEE 12
56	0396 110470	PRUŽINA	SPRING
57		VIZ POS. 12	SEE 12
59		VIZ POS. 12	SEE 12
60		VIZ POS. 12	SEE 12
61	0993 411208	RÝH. MATICE	KNURLED NUT
66	0067 320150	PRUŽINA	SPRING
67		VIZ POS. 65	SEE 65
68		VIZ POS. 65	SEE 65
69	0367 170040	PRUŽINA	SPRING
70	0396 170060	POUZDRO	CASE
71	0396 170080	PRUŽINA	SPRING
72		VIZ POS. 11	SEE 11
73	9225 201740	ŠROUB M4 x 6	SCREW
74	0993 031357	ŠROUB M4 x 8	SCREW
78	0268 170063	TĚLESO NAVÍJEČE	BODY OF WINDER
79	S981 043503	HRÍDEL ÚPLNÁ	SHAFT CPL.
80	0268 170103	PÁKA ÚPLNÁ	LEVER CPL.
81		VIZ POS. 11	SEE 11

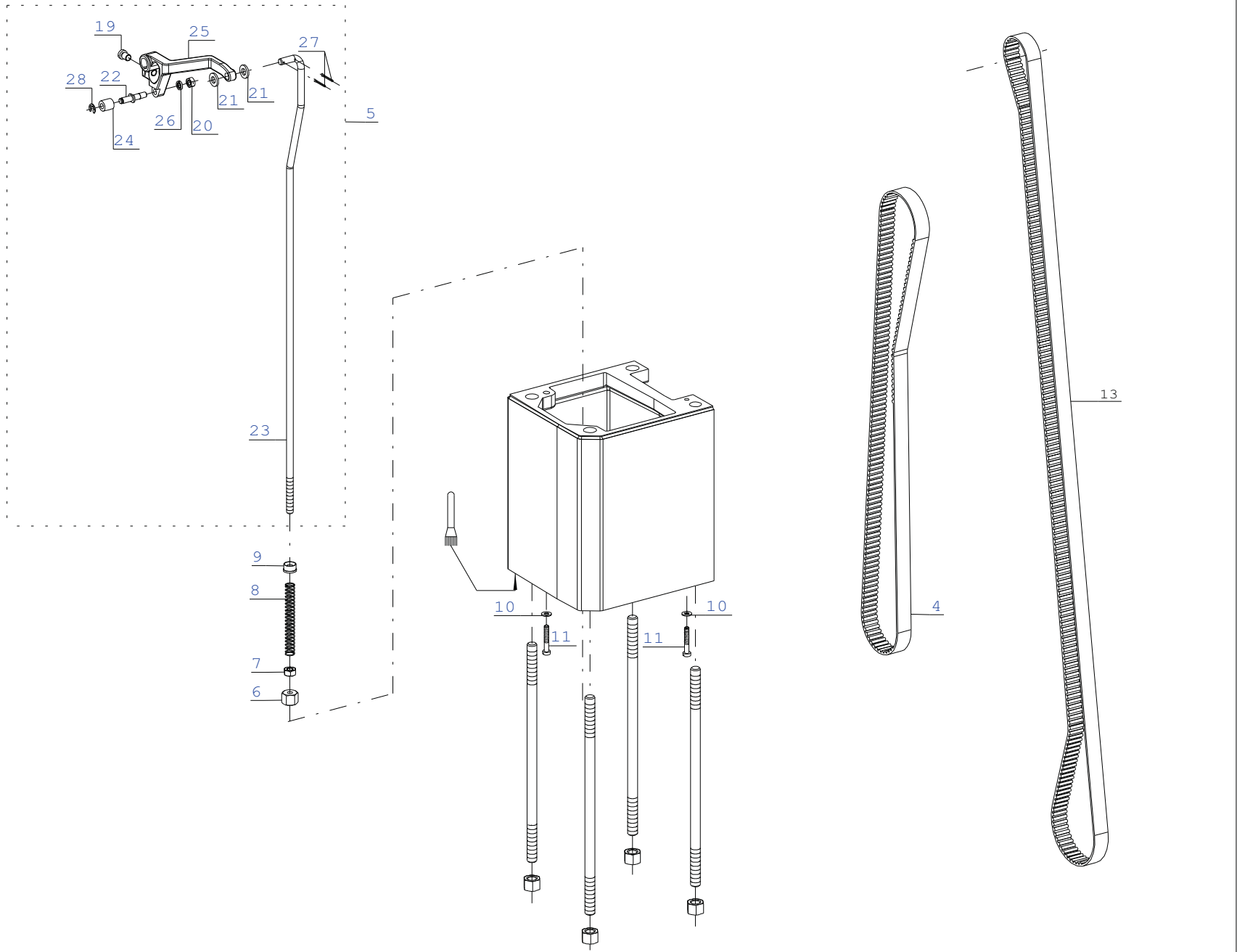
Pos. Det.	Dílec č. Part No.	Název	Denomination
82		VIZ POS. 11	SEE 11
83	9357 000050	PODLOŽKA	WASHER
84		VIZ POS. 11	SEE 11
85	0367 170083	KOLO NAVÍJEČE	WHEEL OF WINDER
86		VIZ POS. 11	SEE 11
87	9205 102168	ŠROUB M5 x 6	SCREW M5 x 6
88	0998 861590	O-KROUŽEK	O-RING
89		VIZ POS. 11	SEE 11
90	0993 060967	ŠROUB	SCREW
93	S080 839312	ZVEDACÍ PLECH	LIFTING SHEET
94	S311 732050	POJ. KROUŽEK	RETAINING RING
95	S980 060175	PÁKA	LEVER
107	0244 000700	ŠROUB	SCREW
111		VIZ POS. 15	SEE 15
112		VIZ POS. 15	SEE 15
117	0244 000700	ŠROUB	SCREW
118		VIZ POS. 17	SEE 17



M 502

Pos. Det.	Dílec č. Part No.	Název	Denomination
2	S981 045573	POJISTNÁ SPOJKA ÚPLNÁ	SAFETY CLUTCH CPL.
3	S981 052036	LOŽISKO ÚPLNÉ	BEARING CPL.
4	9330 000098	PODLOŽKA	WASHER
5	S080 126096	ŠROUB M5 x 12	SCREW M5 x 12
7	S080 341261	SPODNÍ HŘÍDEL	LOWER SHAFT
16		VIZ POS. 3	SEE 3
17		VIZ POS. 3	SEE 3
19		VIZ POS. 3	SEE 3
20	S080 111343	ŠROUB	SCREW
31	S980 045574	OZUBENÁ ŘEMENICE	TOOTHED WHEEL
32	S080 161339	MATICE	NUT
33	S080 420010	TALÍŘOVÁ PRUŽINA	WASHER SPRING
35	S324 049910	LOŽISKO ÚPLNÉ	BEARING CPL.
36	0244 000700	ŠROUB	SCREW
41	S311 988232	TALÍŘOVÁ PRUŽINA	WASHER SPRING

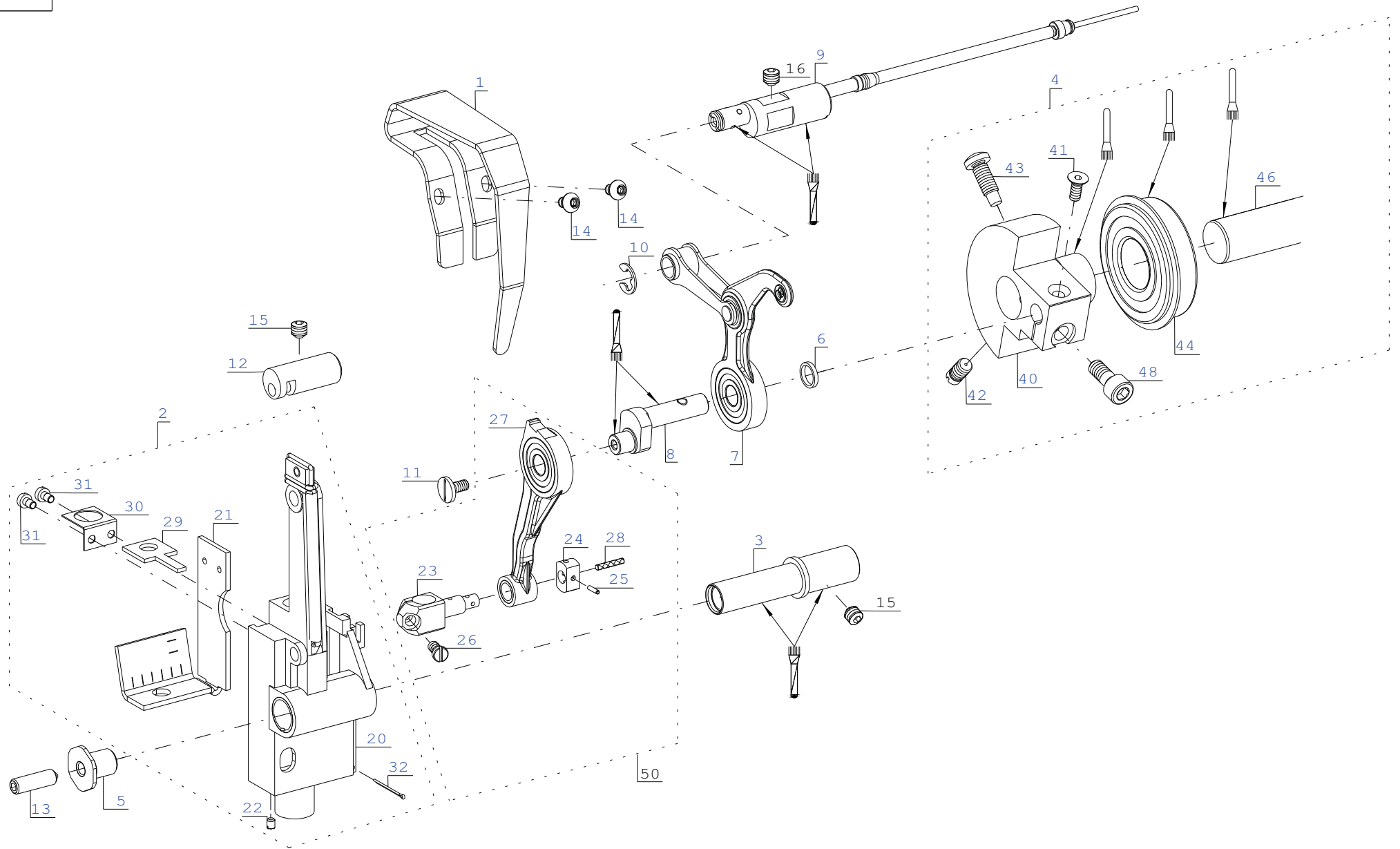
Pos. Det.	Dílec č. Part No.	Název	Denomination
--------------	----------------------	-------	--------------



M 512

Pos. Det.	Dílec č. Part No.	Název	Denomination
4	S272 100515	OZUBENÝ ŘEMEN FLENNOR	TOOTHED BELT FLENNOR
5	S980 060206	PÁKA ÚPLNÁ	LEVER CPL.
6	S080 161333	OPĚRKA	SUPPORT
7	S080 161142	MATICE	NUT
8	S080 260608	PRUŽINA	SPRING
9	S080 425326	POUZDRO	CASE
10	S080 190353	PODLOŽKA	WASHER
11	S080 120269	ŠROUB	SCREW
13	S272 100516	OZUBENÝ ŘEMEN	TOOTHED BELT
19	S080 120698	ŠROUB	SCREW
20	S080 161146	MATICE	NUT
21	S080 190346	PODLOŽKA	WASHER
22	S080 333175	ČEP	PIN
23	S080 384114	TÁHLO	ROD
24	S080 418182	KLADKA	ROLLER
25	S080 633220	PÁKA	LEVER
26	S311 214051	PODLOŽKA	WASHER
27	S311 318012	ZÁVLAČKA	SPLIT PIN
28	S311 732040	POJISTNÝ KROUŽEK	RETAINING RING

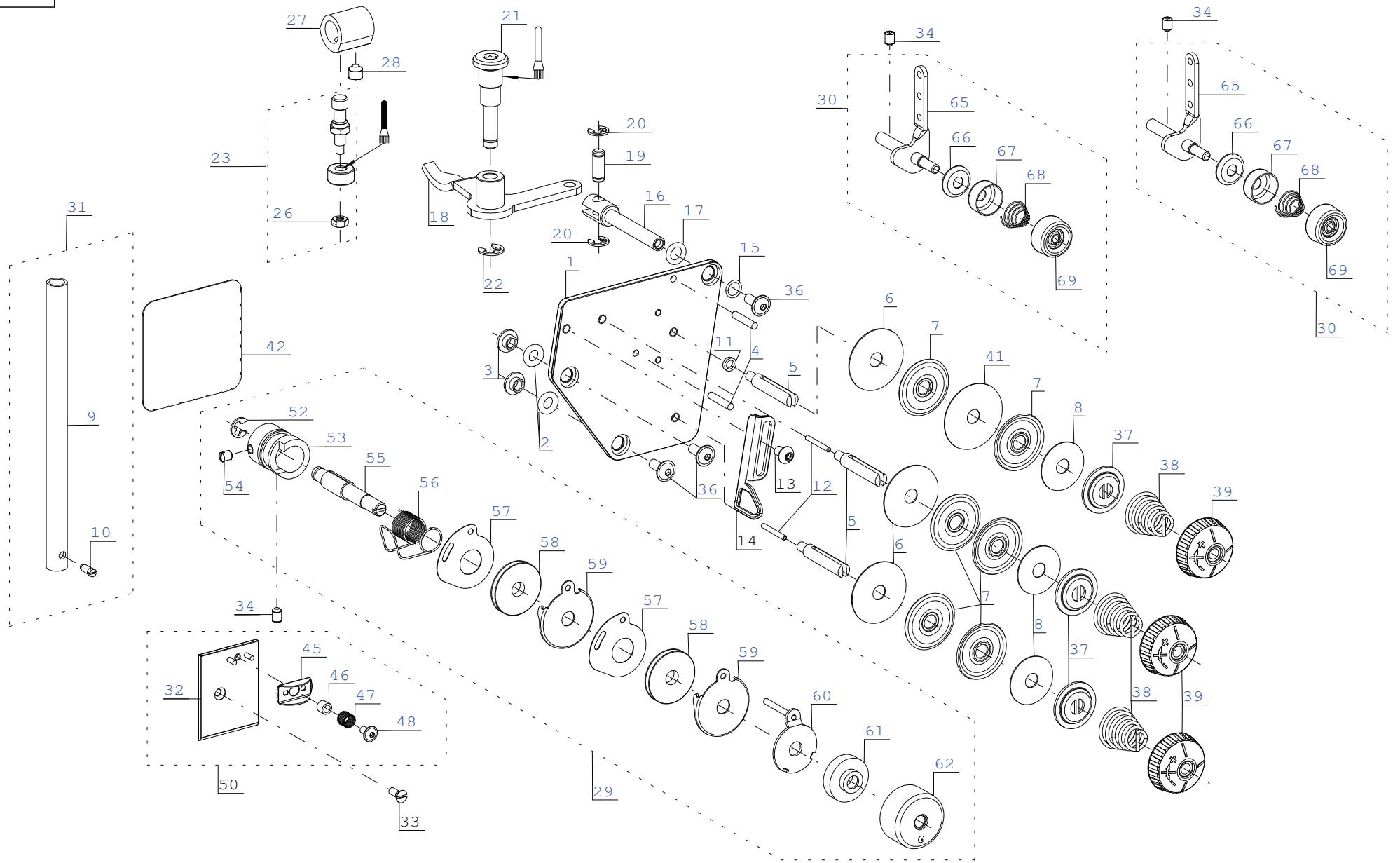
Pos. Det.	Dílec č. Part No.	Název	Denomination
--------------	----------------------	-------	--------------



M 513

Pos. Det.	Dílec č. Part No.	Název	Denomination
1	S080 831666	KRYT	COVER
2	S981 021403	DRŽÁK JEHELNÍ TYČE	HOLDER OF NEEDLE BAR
3	S080 330134	ČEP	PIN
4	S981 052076	HLAVA KLIKY ÚPLNÁ	HEAD OF CRANK CPL.
5	S080 146063	ŠROUB	SCREW
6	S080 410680	KROUŽEK	RING
7	S980 021396	NIŤOVÁ PÁKA ÚPLNÁ	TAKE UP LEVER CPL.
8	S080 338229	KLIKA	CRANK
9	S980 025305	VÝSTŘEDNÍK ÚPLNÝ	ECCENTRIC CPL.
10	S311 732060	POJ. KROUŽEK	RETAINING RING
11	S080 153045	ŠROUB	SCREW
12	S080 328235	ČEP	PIN
13	S309 791616	ŠROUB	SCREW
14	S309 738406	ŠROUB	SCREW
15	0244 000700	ŠROUB	SCREW
16	9205 102473	ŠROUB	SCREW
20		VIZ POS. 2	SEE 2
21		VIZ POS. 2	SEE 2
22	S080 111223	ŠROUB	SCREW
23		VIZ POS. 50	SEE 50
24		VIZ POS. 50	SEE 50
25	S311 515091	KOLÍK 1,6 x 6	PIN 1.6 x 6
26	S080 124050	ŠROUB	SCREW
27		VIZ POS. 50	SEE 50
28	S708 130002	VIZ POS. 50	SEE 50
29		VIZ POS. 2	SEE 2
30	S080 826403	PŘÍCHYTKA	CLIP
31	S080 120367	ŠROUB	SCREW
32	S311 318016	ZÁVLAČKA	SPLIT PIN
40		VIZ POS. 4	SEE 4
41	S311 799410	ŠROUB M4 x 10	SCREW M4 x 10
42	0244 000700	ŠROUB	SCREW
43	S080 138009	ŠROUB	SCREW
44		VIZ POS. 4	SEE 4
46		VIZ POS. 4	SEE 4
48	S080 120295	ŠROUB	SCREW
50	S981 021405	OJNICE ÚPLNÁ	ROD CPL.

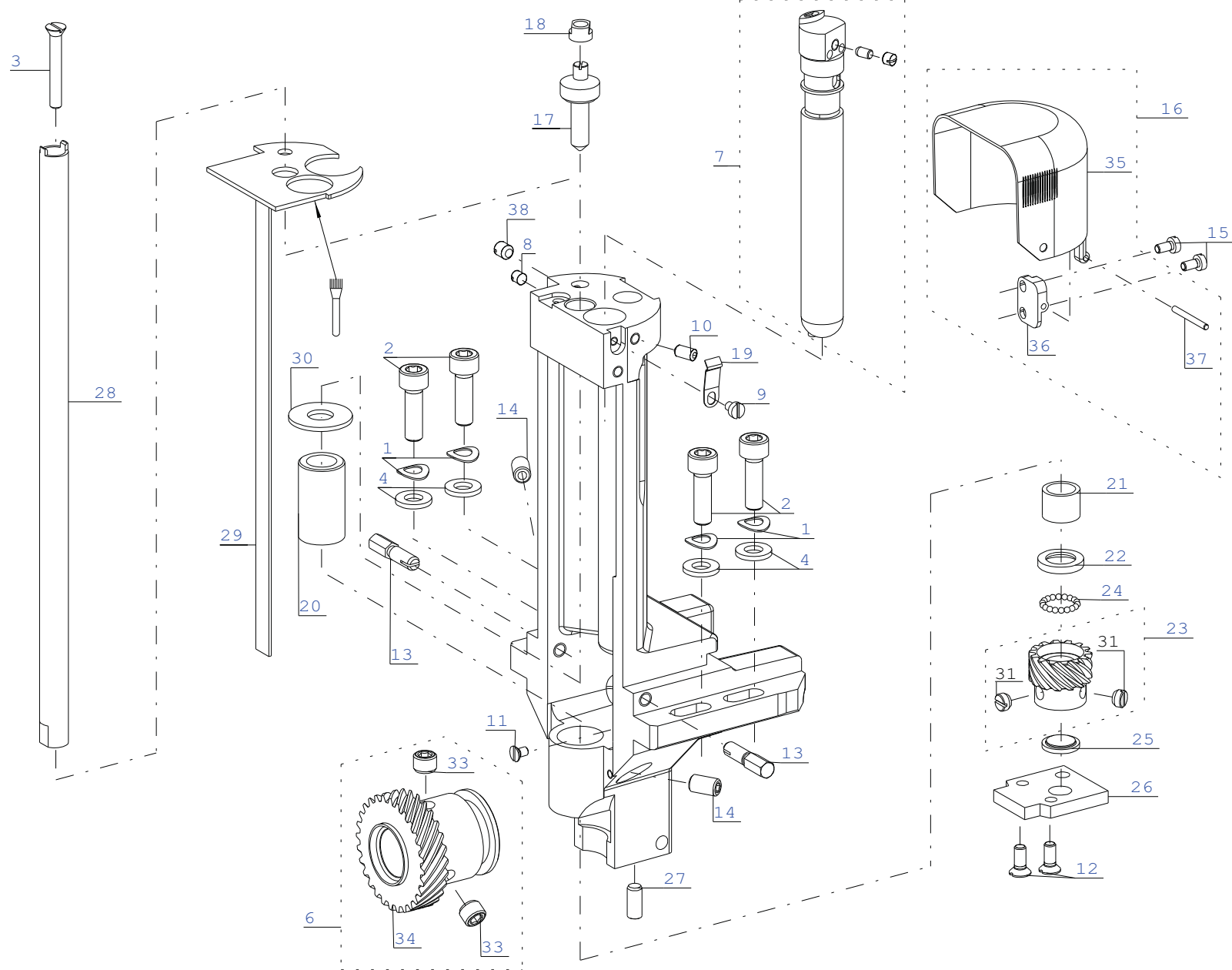
Pos. Det.	Dílec č. Part No.	Název	Denomination
--------------	----------------------	-------	--------------



M 517

Pos. Det.	Dílec č. Part No.	Název	Denomination
1	S080 826404	DESKA	PLATE
2	S273 005025	KROUŽEK	RING
3	S080 425329	POUZDRO	CASE
4	S324 031651	VÁLEČEK JEHLVÝ	NEEDLE ROLLER
5	0367 110120	NAPÍNAČÍ ČEP	TENSIONING PIN
6	S321 941159	PODLOŽKA	WASHER
7	0467 110220	MISKA NAPÍNAČE	DISH OF TENSIONER
8	S321 941158	PODLOŽKA	WASHER
9	S080 391134	JEHelnÍ TYČ	NEEDLE BAR
10	S080 135022	ŠROUB	SCREW
11	S080 190708	KROUŽEK	RING
12	S080 310478	KOLIK	PIN
13	S309 738406	ŠROUB	SCREW
14	S080 821181	VODIČ	GUIDE
15	S273 001000	O-KROUŽEK	O-RING
16	S080 318256	ČEP	PIN
17	S273 001001	O-KROUŽEK	O-RING
18	S980 047280	PÁKA ÚPLNÁ	LEVER CPL.
19	S080 323203	ČEP	PIN
20	S311 732032	POJ. KROUŽEK	RETAINING RING
21	S080 142027	ŠROUB	SCREW
22	S311 732050	POJ. KROUŽEK	RETAINING RING
23	S981 060243	KLADKA ÚPLNÁ	ROLLER CPL.
26	9234 000057	MATICE	NUT
27	S080 436457	STAVĚCÍ KROUŽEK	REGULATING RING
28	0244 000700	ŠROUB	SCREW
29	0367 110254 M	NAPÍNAČ NITĚ ÚPLNÝ	TENSIONER COMPLET CPL.
30	0271 001391	VODIČ ÚPLNÝ	GUIDE CPL.
31	S981 021400	JEHelnÍ TYČ ÚPLNÁ	NEEDLE BAR CPL.
32	S980 060231	DESKÁ ÚPLNÁ	PLATE CPL.
33	S080 126073	ŠROUB	SCREW
34	9205 101868	ŠROUB	SCREW
36	S309 000410	ŠROUB	SCREW
37	0061 001050	PODLOŽKA	WASHER
38	0099 004800	PRUŽINA	SPRING
39	0271 000238	MATICE	NUT
41	S080 190701	PODLOŽKA	WASHER
42	S735 955142	SAMOLEPKA	LABEL
45	S080 839349	PŘÍLOŽKA	SPLICE
46	S080 410699	POUZDRO	CASE
47	S080 260617	PRUŽINA	SPRING
48	S309 000306	ŠROUB	SCREW
50	S981 025306	VODIČ NITĚ ÚPLNÝ	THREAD GUIDE CPL.
52	9357 000060	POJ. KROUŽEK	RETAINING RING
53	0367 110160	POUZDRO	CASE
54	0993 520940	ŠROUB	SCREW
55	0367 110170	ČEP	PIN
56	0068 004910	PRUŽINA	SPRING
57	0367 110350	PODLOŽKA	WASHER
58	0367 110340	ROLNA	ROLLER
59	0367 110360	PODLOŽKA	WASHER
60	0367 110183	PODLOŽKA ÚPLNÁ	WASHER CPL.
61	0367 110290	POUZDRO	CASE
62	0381 110043	MATICE	NUT
65	0271 001392	VODIČ NITĚ	THREAD GUIDE
66	0244 000415	OBJÍMKA	SLEEVE

Pos. Det.	Dílec č. Part No.	Název	Denomination
67	0244 000414	OBJÍMKA	SLEEVE
68	0271 001397	PRUŽINA	SPRING
69	0271 001398	RÝHOVANÁ MATICE	MILLED NUT

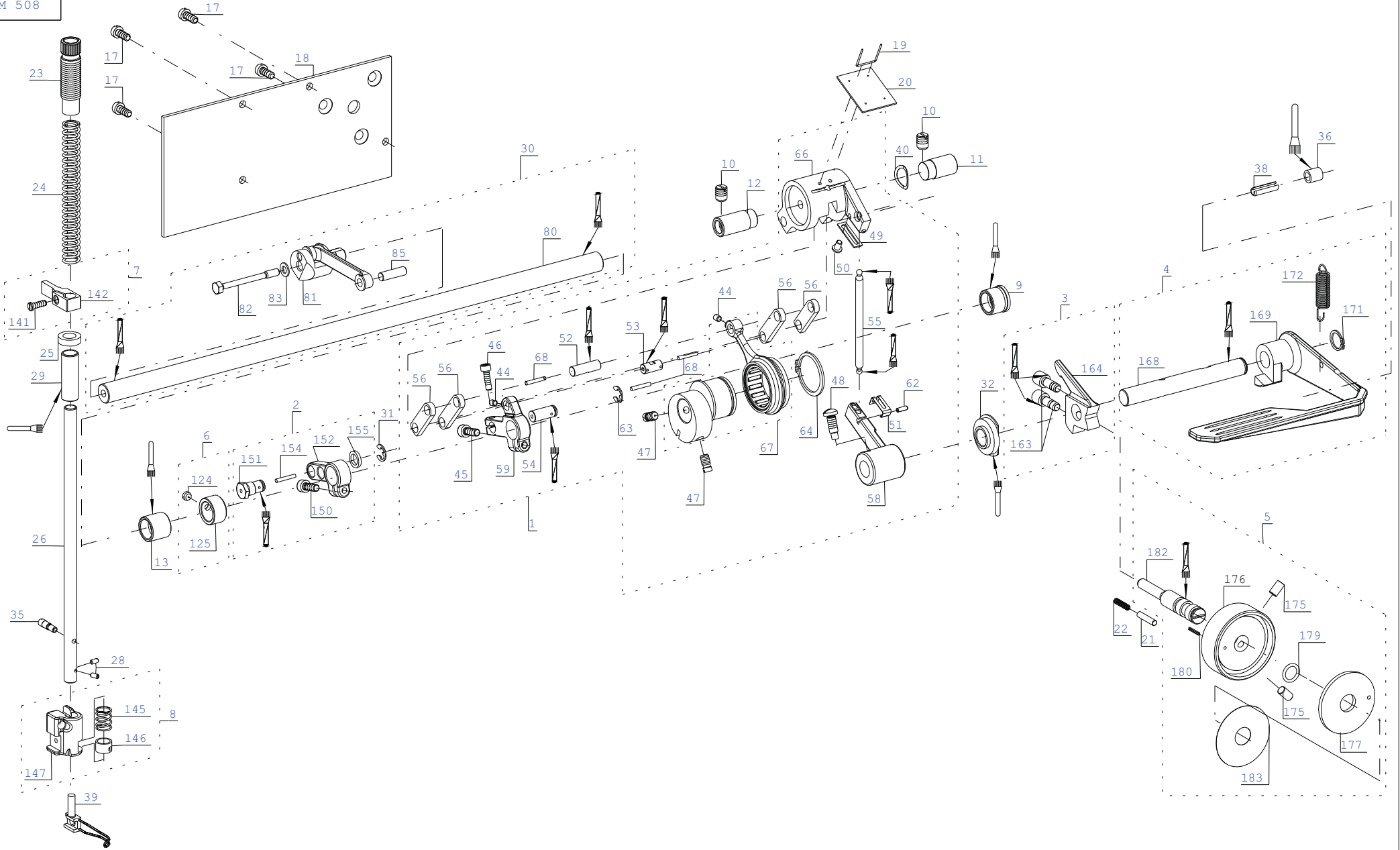


M 503

Pos. Det.	Dílec č. Part No.	Název	Denomination
1	S311 213064	PODLOŽKA	WASHER
2	S080 120244	ŠROUB	SCREW
3	S080 126178	ŠROUB	SCREW
4	S311 433060	PODLOŽKA	WASHER
6	S981 045571	OZUBENÉ KOLO ÚPLNÉ	TOOTHED WHEEL CPL.
7	S980 052072	OLEJOVÁ NÁDRŽKA	OIL CAN
8	S080 112115	ŠROUB	SCREW
9	S309 231303	ŠROUB	SCREW
10	S080 111233	ŠROUB	SCREW.
11	S080 126065	ŠROUB	SCREW
12	S311 799410	ŠROUB	SCREW
13	S080 141320	ŠROUB	SCREW
14	9205 102488	ŠROUB	SCREW
15	S080 120361	ŠROUB	SCREW
16	S981 041275	KRYT CHAPAČE ÚPLNÝ	COVER OF HOOK CPL.
17	S080 338245	ČEP HÁKU	PIN
18	S080 452050	SMYKADLO	BLOCK
19	S080 839320	ZÁPADKA	PAWL
20	S080 424170	POUZDRO	CASE
21	S324 512910	LOŽISKO	BEARING
22	S080 441699	KROUŽEK	RING
23	S980 045567	OZUBENÉ KOLO ÚPLNÉ	TOOTHED WHEEL CPL.
24	S324 020052	KULIČKA	BALL
25	S080 441693	KROUŽEK	RING
26	S080 815300	DESKA	PLATE
27	S311 515027	KOLÍK	PIN
28	S080 345091	HŘÍDEL	BAR
29	S980 052074	MAZACÍ PLST ÚPLNÁ	OIL FELT CPL.
30	S080 945408	VLOŽKA	INSERT
33	S080 111376	ŠROUB	SCREW
34		VIZ POS. 6	SEE 6
35	S980 042082	KRYT CHAPAČE ÚPLNÝ	COVER OF HOOK CPL.
36	S080 646509	ZÁVĚS	HINGE
37	9301 101011	VÁLCOVÝ KOLÍK	PIN
38	S080 111261	ŠROUB	SCREW

Pos. Det.	Dílec č. Part No.	Název	Denomination
--------------	----------------------	-------	--------------

M 508



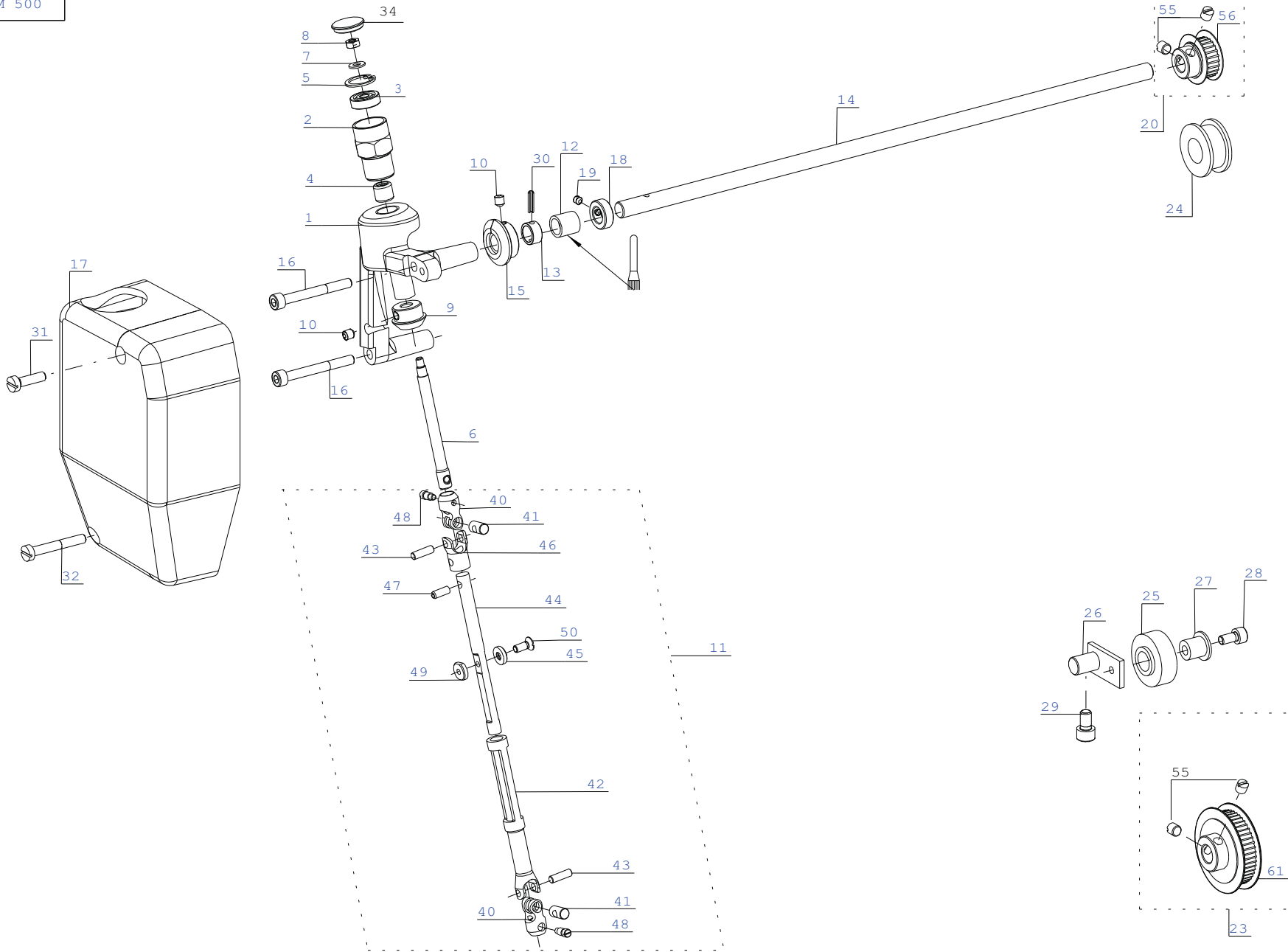
From the library of: Superior Sewing Machine & Supply LLC

M 508

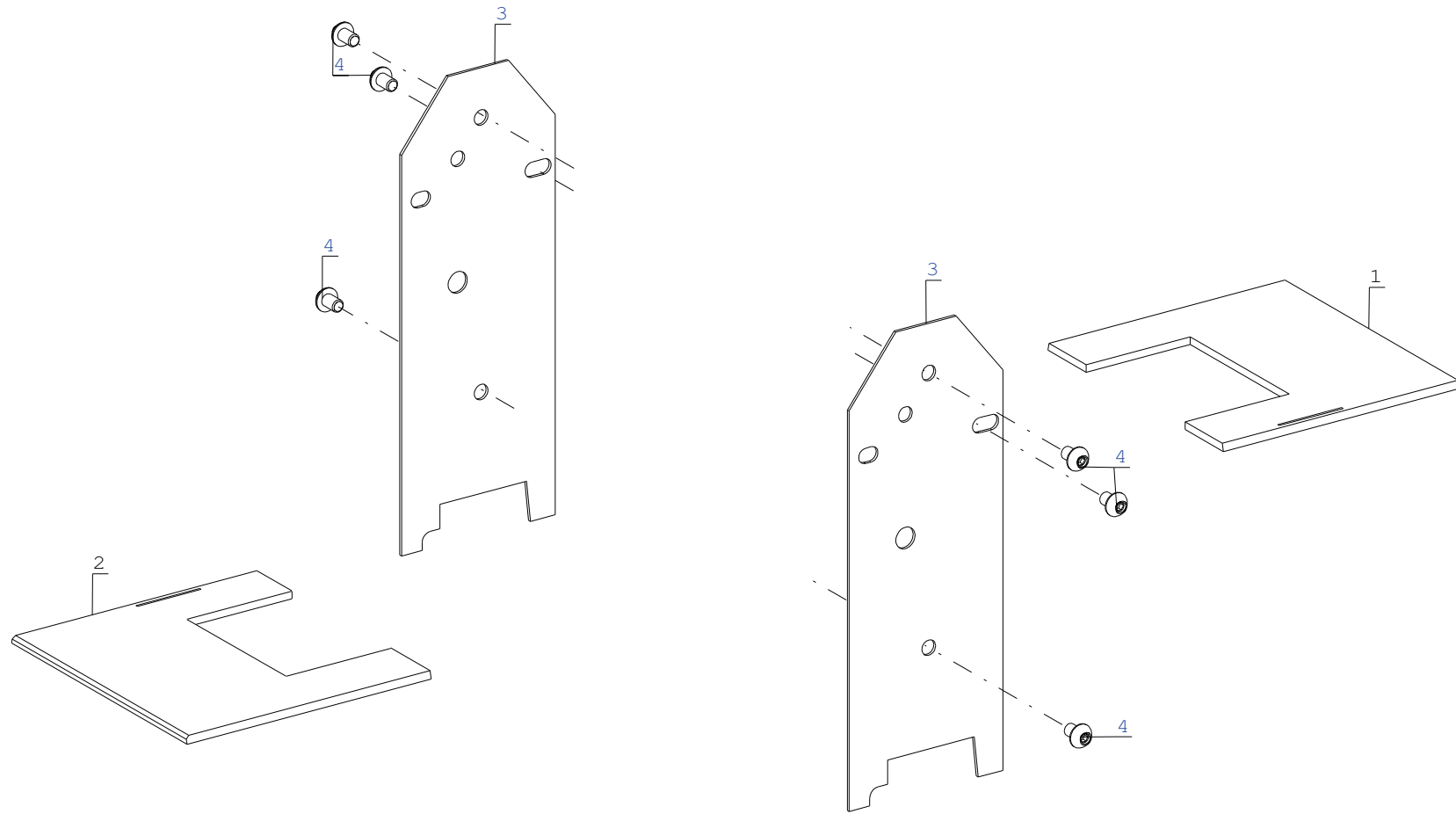
Pos. Det.	Dílec č. Part No.	Název	Denomination
1	S981 022881	TŘMEN-SESTAVA	STIRRUP-ASSEMBLY
2	S981 060226	PÁKA ÚPLNÁ	LEVER CPL.
3	S981 060193	VAČKA ÚPLNÁ	CAM CPL
4	S981 060194	ZPÁTKOVACÍ PÁKA	BACKTACKING LEVER
5	S981 060195	KNOFLÍK ÚPLNÝ	BUTTON CPL.
6	S981 052044	STAVECÍ KROUŽEK ÚPLNÝ	REGULATING RING CPL.
7	S981 052049	VEDENÍ ÚPLNÉ	GUIDANCE CPL.
8	S981 052050	OBJÍMKA ÚPLNÁ	SLEEVE CPL.
9	S080 425319	POUZDRO	CASE
10	S080 111379	ŠROUB	SCREW
11	S080 320342	ČEP	PIN
12	S980 052070	ČEP ÚPLNÝ	PIN CPL.
13	S080 410676	POUZDRO	CASE
17	9202 002477	ŠROUB M5 x 12	SCREW M5 x 12
18	S080 831671	KRYT ZADNÍ	COVER BACK
19	S080 271544	SPONA	CLIP
20	S080 945397	MAZACÍ VLOŽKA	LUBRICATION INSERT
21	S080 324062	ČEP	PIN
22	S080 260604	PRUŽINA	SPRING
23	S080 156045	SEŘIZOVACÍ ŠROUB	SETTING-UP SCREW
24	S080 260602	PRUŽINA	SPRING
25	S080 943221	PODLOŽKA	WASHER
26	S080 392119	PŘITLAČNÁ TYČ	PRESSURE BAR
28	S080 111029	ŠROUB	SCREW
29	S080 412222	POUZDRO	CASE
30	S981 043511	HŘÍDEL ÚPLNÁ	BAR CPL.
31	S311 732060	POJ. KROUŽEK	RETAINING RING
32	S080 425322	POUZDRO	CASE
35	S080 135081	ŠROUB	SCREW
36	S283 068001	HADIČKA PVC OLEJ.	HOSE PVC OIL
38	S311 515055	KOLÍK 6 x 20	PIN 6 x 20
39	S980 052063	CHRÁNIČ PRSTŮ	PROTECTOR OF FINGER GUARD
40	S080 281139	PRUŽINA	SPRING
44	S080 112115	ŠROUB M4 x 6	SCREW M4 x 6
45	S080 120364	ŠROUB M5 x 14	SCREW M5 x 14
46	9202 002088	ŠROUB	SCREW
47	0244 000700	ŠROUB	SCREW
48	S080 138009	ŠROUB	SCREW
49	S080 826402	PŘÍLOŽKA	SPLICE
50	S080 132112	ŠROUB	SCREW
51	S080 283176	PRUŽINA	SPRING
52		VIZ POS. 1	SEE 1
53		VIZ POS. 1	SEE 1
54		VIZ POS. 1	SEE 1
55	S080 352002	TÁHLO	ROD
56		VIZ POS. 1	SEE 1
58		VIZ POS. 1	SEE 1
59	S080 635299	PÁKA	LEVER
62		VIZ POS. 1	SEE 1
63	S311 732060	POJ. KROUŽEK	RETAINING RING
64	S311 733280	POJ. KROUŽEK	RETAINING RING
66		VIZ POS. 1	SEE 1
67	S980 060222	VÝSTŘEDNÍK S OJNICÍ	ECCENTRIC WITH ROD
68		VIZ POS. 1	SEE 1
80	S080 349219	HŘÍDEL	SHAFT
81	S980 060230	PÁKA ÚPLNÁ	LEVER CPL.

Pos. Det.	Dílec č. Part No.	Název	Denomination
82	S080 143049	ŠROUB	SCREW
83	S080 190359	PODLOŽKA	WASHER
85	S080 314270	ČEP	PIN
124	S080 111375	ŠROUB	SCREW
125	S080 436444	STAVECÍ KROUŽEK	REGULATING RING
141	S080 120543	ŠROUB	SCREW
142		VIZ POS. 7	SEE 7
145	S080 260606	PRUŽINA	SPRING
146	S080 436446	STAVECÍ KROUŽEK	REGULATING RING
147	S080 646472	OBJÍMKA DRŽÁKU	SLEEVE OF HOLDER
150	S080 120364	ŠROUB M5 x 4	SCREW M5 x 4
151	S080 331192	ČEP	PIN
152		VIZ POS. 2	SEE 2
154		VIZ POS. 2	SEE 2
155	S080 190706	PODLOŽKA	WASHER
163	S080 120705	ŠROUB	SCREW
164		VIZ POS. 3	SEE 3
168	S080 340203	HŘÍDEL	SHAFT
169	S080 621040	ZPÁTKOVACÍ PÁKA	BACKTACKING LEVER
171	S311 733120	POJ. KROUŽEK	RETAINING RING
172	S315 263276	PRUŽINA	SPRING
175	9205 102488	ŠROUB M6 x 10	SCREW M6 x 10
176	S080 233061	KNOFLÍK	BUTTON
177	S080 441687	KOTOUČ	DISK
179	S273 001002	O-KROUŽEK 9 x 2	O-RING 9 x 2
180	S311 515021	KOLÍK 2 x 10	PIN 2 x 10
182	S080 332172	ŠROUB	SCREW
183	S735 975184	SAMOLEPÍCÍ STÍTEK-STUPNICE	LABEL-SCALE

M 500



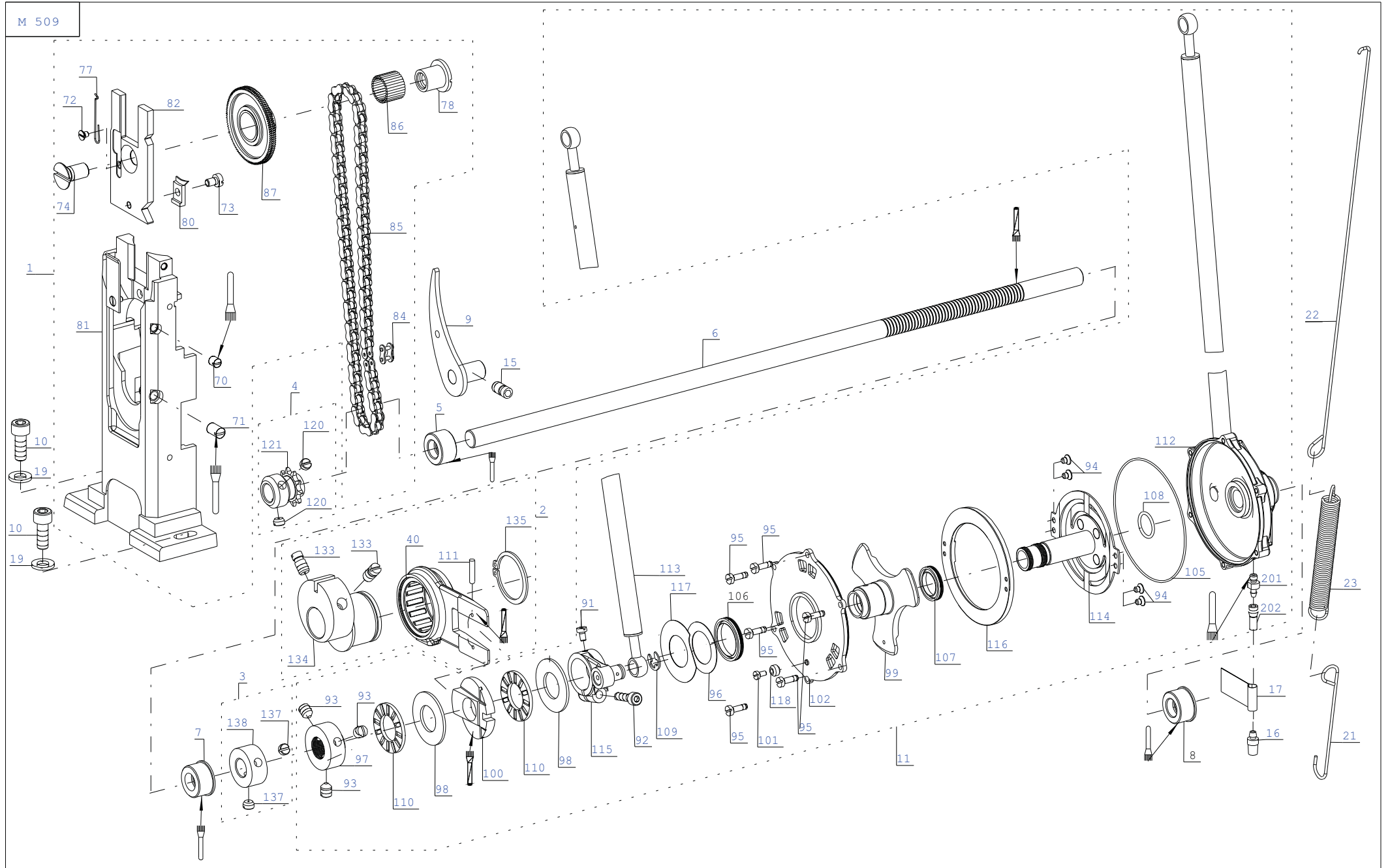
From the library of: Superior Sewing Machine & Supply LLC



M 511

Pos. Det.	Dílec č. Part No.	Název	Denomination
 S980 000511	KRYTY SLOUPKŮ	COVERS OF POSTS
1 S080 812202	DESKA	PLATE
2 S080 812204	DESKA	PLATE
3 S080 831714	KRYT	COVER
4 S309 738406	ŠROUB	SCREW

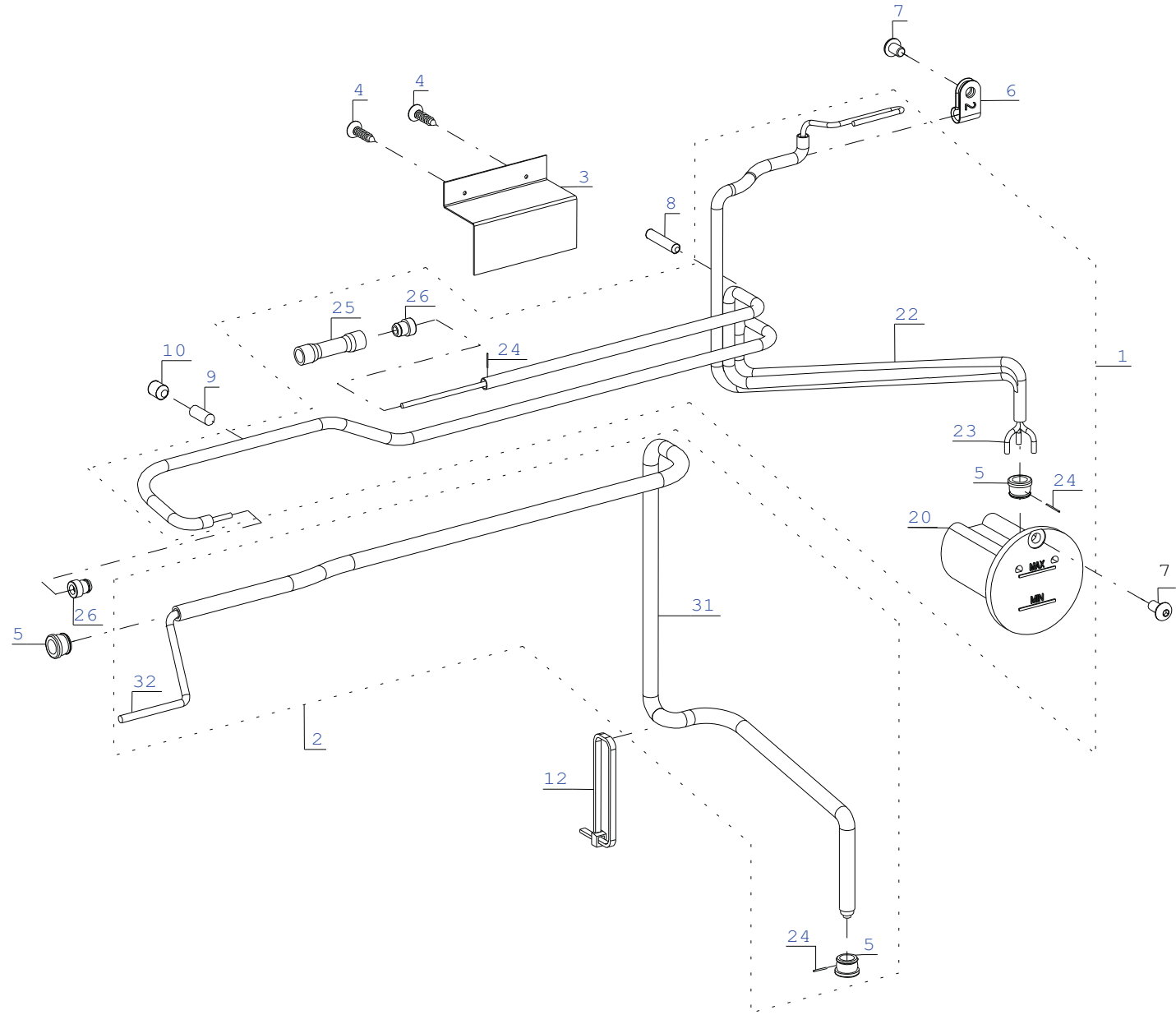
Pos. Det.	Dílec č. Part No.	Název	Denomination
--------------	----------------------	-------	--------------



M 509

Pos. Det.	Dílec č. Part No.	Název	Denomination
1	S981 023166	STŘEDNÍ SLOUP ÚPLNÝ	MIDDLE POST CPL.
2	S981 052046	VÝSTŘEDNÍK ÚPLNÝ	ECCENTRIC CPL.
3	S981 052047	STAVECÍ KROUŽEK ÚPLNÝ	REGULATING RING CPL.
4	S981 045549	ŘETĚZOVÉ KOLO ÚPLNÉ	CHAIN WHEEL CPL.
5	S080 410679	LOŽISKO	BEARING
6	S080 341254	HŘÍDEL	SHAFT
7	S080 425320	LOŽISKO	BEARING
8	S080 425318	LOŽISKO	BEARING
9	S980 059061	NAPÍNAČ ŘETĚZU	TENSION OF CHAIN
10	9202 002907	ŠROUB	SCREW
11	S981 024299	SPOJKA ÚPLNÁ	CLUTCH CPL.
15	9205 102498	ŠROUB	SCREW
16	S080 424165	KONCOVKA	TERMINAL
19	S080 190347	PODLOŽKA	WASHER
20	S080 425319	POUZDRO	CASE
21	S080 271522	HÁČEK PRUŽINY	HOOK OF SPRING
22	S080 271523	HÁČEK PRUŽINY	HOOK OF SPRING
23	S315 263275	PRUŽINA	SPRING
40	S980 060185	OJNICE ÚPLNÁ	ROD CPL.
70	S080 112088	ŠROUB M5 x 8	SCREW M5 x 8
71	9205 122498	ŠROUB	SCREW
72	9203 313021	ŠROUB M3 x 4	SCREW M3 x 4
73	S080 120217	ŠROUB M4 x 6	SCREW M4 x 6
74	S080 126088	ŠROUB M8 x 16	SCREW M8 x 16
77	S080 271524	ZÁPADKA	LATCH
78	S080 322354	ČEP	PIN
80	S080 648179	STĚRKA	CLEANING KNIFE
81		VIZ POS. 1	SEE 1
82	S080 746175	DESKA	PLATE
84	S318 012024	SPOJKA ŘETĚZU 6 x 2,8	CLUTCH OF CHAIN 6 x 2.8
85	S318 012070	ŘETĚZ 6 x 2,8	CHAIN 6 x 2.8
86	S324 031650	JEHLOVÝ VÁLEČEK 1,5 x 11,8	NEEDLE ROLLER
87	S980 045542	OZUBENÉ KOLO ÚPLNÉ	TOOTHED WHEEL CPL.
91	S080 120296	ŠROUB M3 x 5	SCREW M3 x 5
92	S309 100414	ŠROUB M4 x 16	SCREW M4 x 16
93	S080 112016	ŠROUB	SCREW
94	9203 313021	ŠROUB	SCREW
95	S080 120516	ŠROUB	SCREW
96	S080 281136	PRUŽINA	SPRING
97	S080 425324	KROUŽEK	RING
98	S080 441671	KROUŽEK	RING
99	S080 442655	SPOJKA	CLUTCH
100	S080 451114	KLÍN	WEDGE
101	S080 120403	ŠROUB M2,5 x 3	SCREW M2.5 x 3
102	S080 710134	ŠTÍT	SHIELD
105	S273 014225	O-KROUŽEK 58 x 1	O-RING 58 x 1
106	S273 005000	GUFERO INA 18 x 24 x 3	GUFERO INA 18 x 24 x 3
107	S273 004000	GUFERO INA 13 x 19 x 3	GUFERO INA 13 x 19 x 3
108	S273 002002	O-KROUŽEK 12 x 1,5	O-RING 12 x 1.5
109	S311 732050	POJ. KROUŽEK	RETAINING RING
110	S324 800000	LOŽISKO AXK 1528 INA	BEARING AXK 1528 INA
111		VIZ POS. 2	SEE 2
112	S980 022852	SPOJKA S TÁHLEM	CLUTCH WITH ROD
113	S980 039102	TÁHLO	ROD
114	S980 047266	POUZDRO ÚPLNÉ	CASE CPL.
115	S980 060186	PÁKA ÚPLNÁ	LEVER CPL.

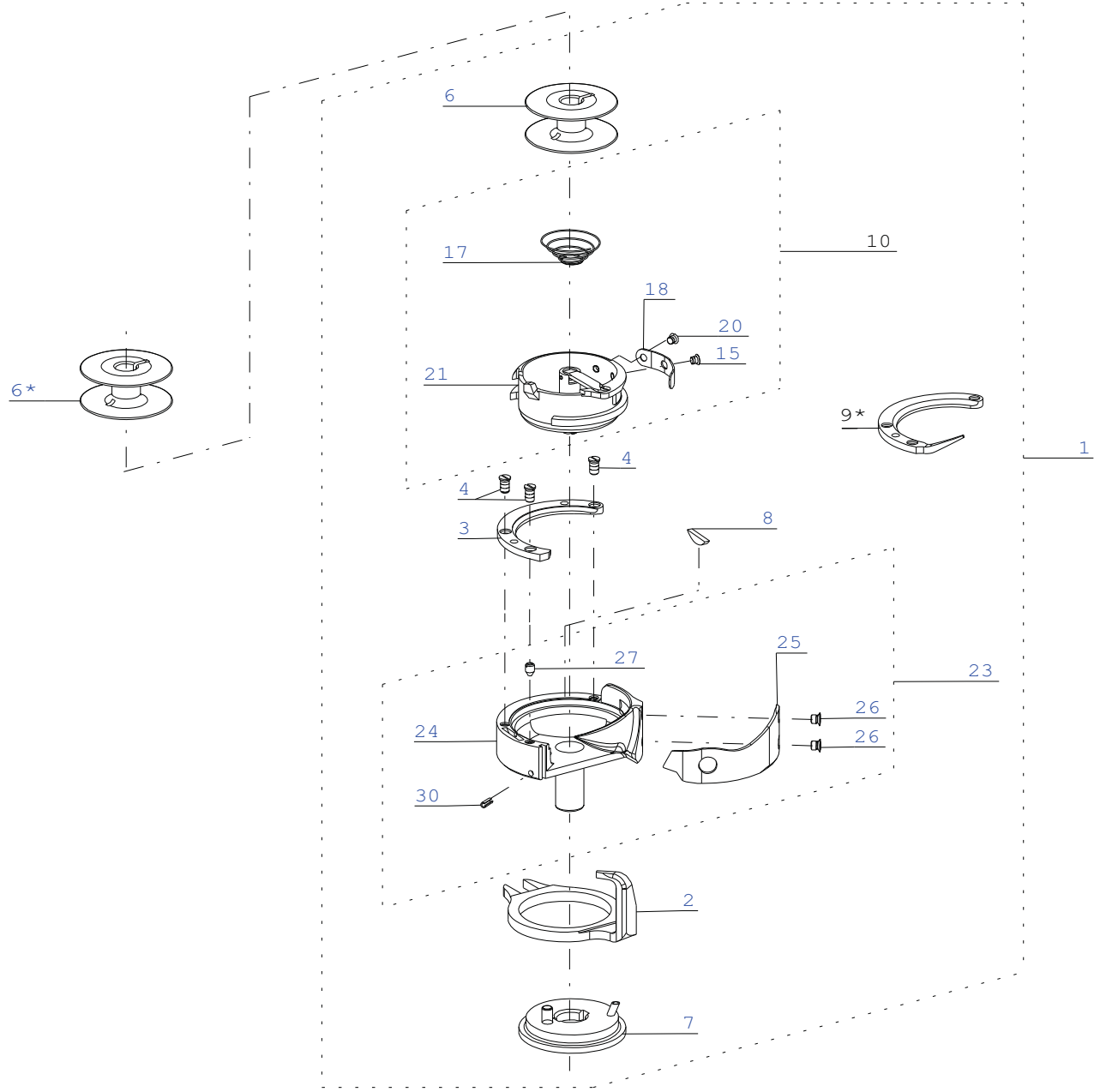
Pos. Det.	Dílec č. Part No.	Název	Denomination
116	S980 088003	KOTOUČ ÚPLNÝ	DISK CPL.
117	S080 814478	KROUŽEK	RING
118	S080 412223	POUZDRO	CASE
120	S080 111375	ŠROUB	SCREW
121		VIZ POS. 4	SEE 4
133	S080 120689	ŠROUB	SCREW
134	S080 671178	VÝSTŘEDNÍK DÉLKY STEHU	ECCENTRIC OF LENGHT STITCH
135	S311 733280	POJ.KROUŽEK	RETAINING RING
137	S080 111375	ŠROUB	SCREW
138		VIZ POS. 3	SEE 3
201	S080 424163	VENTIL	VENT
202	S283 002004	HADIČKA SILIKONOVÁ	HOSE SILIKON



M 514

Pos. Det.	Dílec č. Part No.	Název	Denomination
1	S981 052071	MAZACÍ SKŘIŇ ÚPLNÁ	LUBRICATION BOX CPL.
2	S981 052075	ODSÁVACÍ KNOT ÚPLNÝ	WICK CPL.
3	S080 826412	PŘÍCHYTKA	CLIP
4	S311 400515	VRUT UN	SCREW UN
5	0211 000806	PRŮCHODKA	BUSHING
6	9840 120026	PŘÍCHYTKA	CLIP
7	9217 300528	ŠROUB	SCREW
8	S309 287416	ŠROUB	SCREW
9	S080 310483	KOLÍK	PIN
10	9205 102478	ŠROUB	SCREW
12	S562 411000	NG PÁSEK	NG BAND
20	0265 002402	OLEJOVÁ NÁDRŽKA	OIL TANK
22		VIZ POS. 1	SEE 1
23		VIZ POS. 1	SEE 1
24	S158 076500	DRÁT	BLOWER
25	S283 003001	HADIČKA PVC	HOSE PVC
26	0211 000085	PRŮCHODKA	BUSHING
31		VIZ POS. 2	SEE 2
32		VIZ POS. 2	SEE 2

Pos. Det.	Dílec č. Part No.	Název	Denomination
--------------	----------------------	-------	--------------

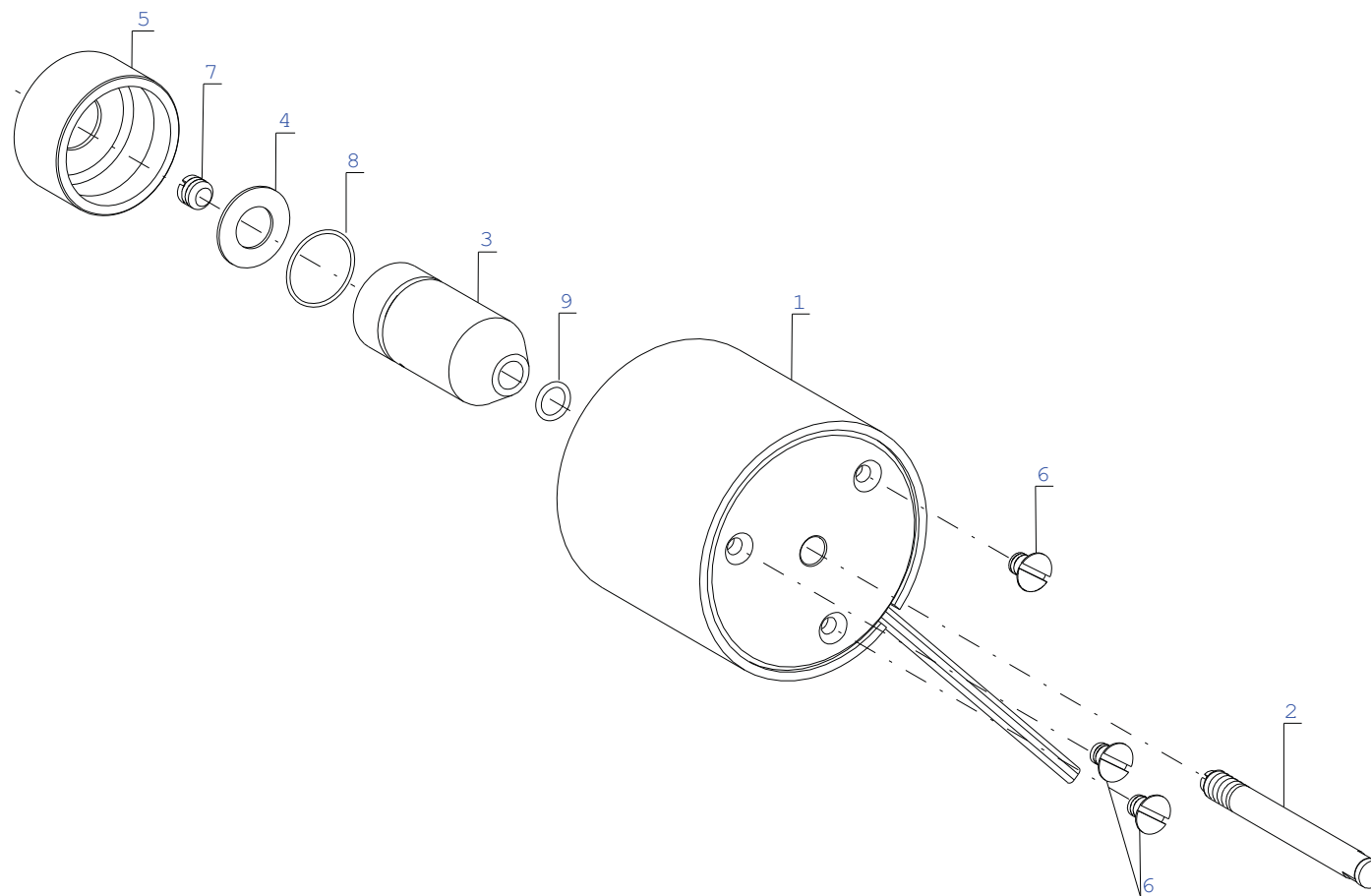


* SPARE PARTS SUPLIED WITH THE MACHINE

M 820

Pos. Det.	Dílec č. Part No.	Název	Denomination
1	S981 008820	CHAPAČ	HOOK
2	S080 679011	UVOLŇOVACÍ HÁK	RELEASING HOOK
3	S080 681037	PŘÍLOŽKA	SPLICE
4	S080 683074	ŠROUB	SCREW
6	0245 001660 A	CÍVKA	BOBBIN
7		VIZ POS. 1	SEE 1
8		VIZ POS. 1	SEE 1
9	S080 681044	PŘÍLOŽKA	SPLICE
10	S981 081170	POUZDRO CÍVKY ÚPLNÉ	BOBBIN CASE CPL.
15	S080 683025	ŠROUB	SCREW
17	S315 262085	PRUŽINA	SPRING
18	0467 150120	PERKO	SPRING
20	0992 023560	ŠROUB	SCREW
21		VIZ POS. 10	SEE 10
23	S981 081171	TĚLESO CHAPAČE ÚPLNÉ	BODY OF HOOK CPL.
24		VIZ POS. 23	SEE 23
25	S080 680046	CHRÁNÍCÍ PLECH	PROTECTING SHEET
26	S080 683083	ŠROUB	SCREW
27	S080 683097	ŠROUB	SCREW
30		VIZ POS. 23	SEE 23

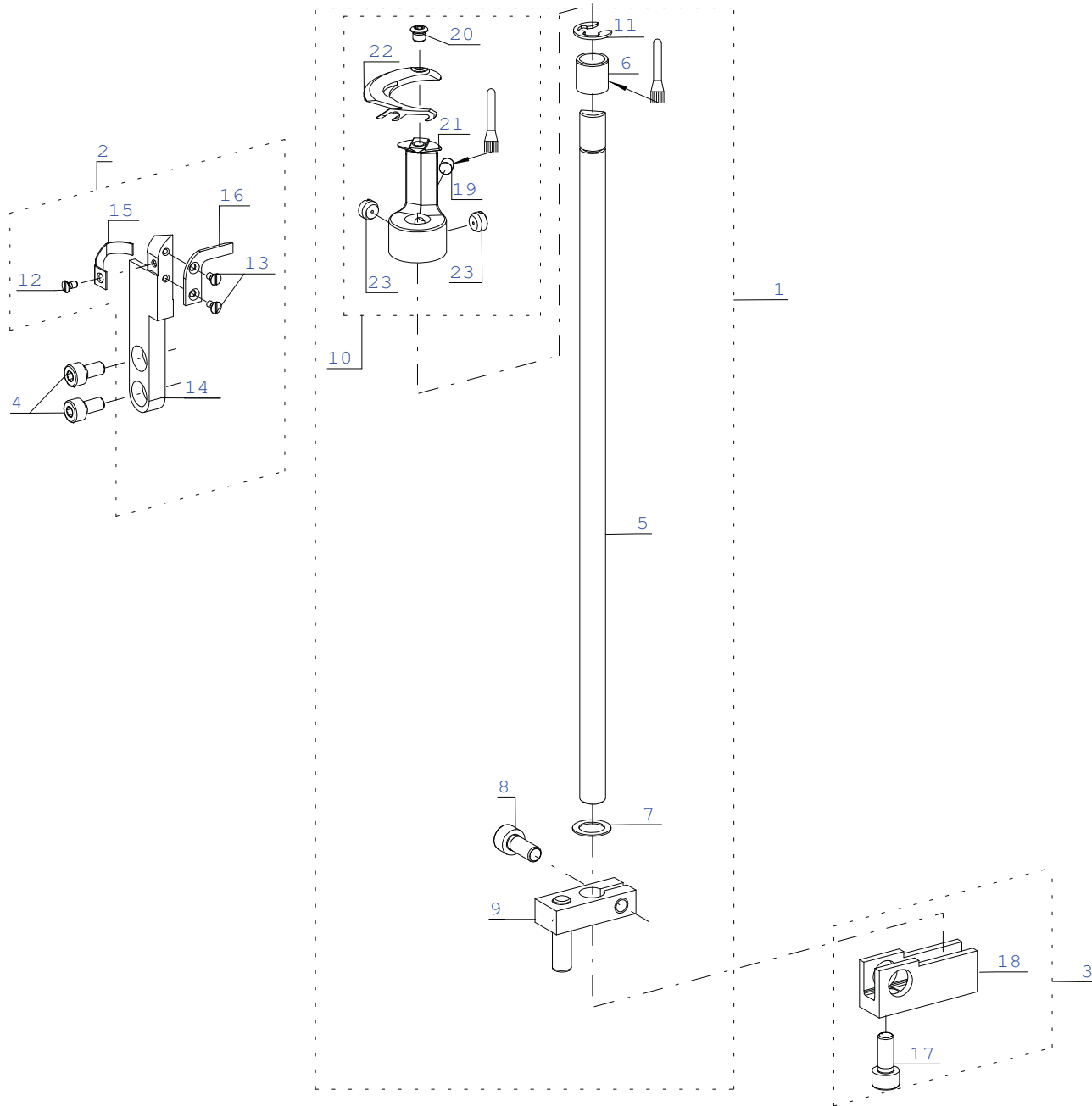
Pos. Det.	Dílec č. Part No.	Název	Denomination
--------------	----------------------	-------	--------------

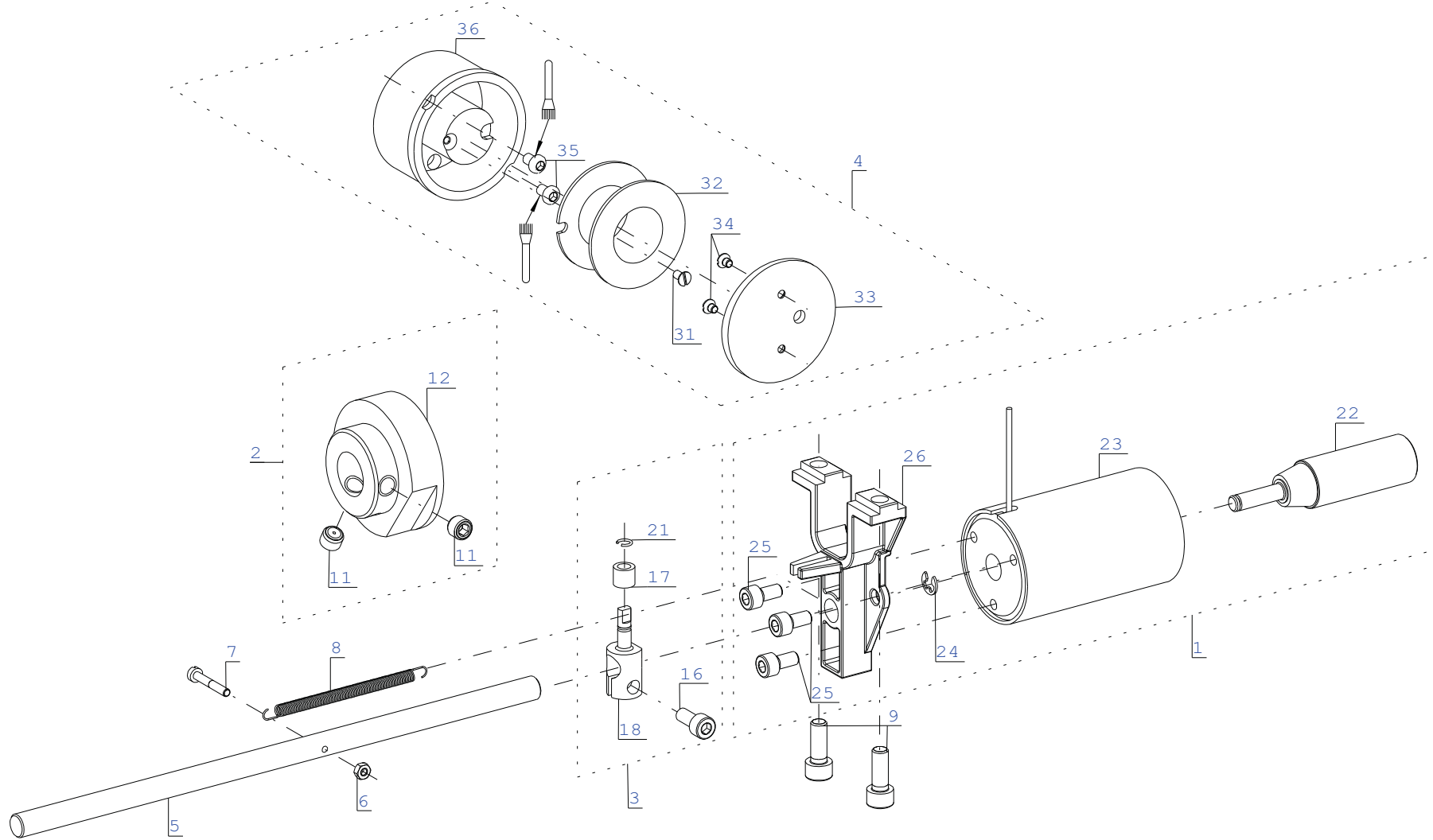


M 518

Pos. Det.	Díllec č. Part No.	Název	Denomination
.....	S980 000518	ELEKTROMAG. ZVEDÁNÍ PATKY	EMG TOP ROLLER LIFTING
1	S980 094009	ELEKTROMAGNET	EMG
2	VIZ S980 000518	SEE S980 000518
3	VIZ S980 000518	SEE S980 000518
4	VIZ S980 000518	SEE S980 000518
5	VIZ S980 000518	SEE S980 000518
6	S080 126182	ŠROUB	SCREW
7	VIZ S980 000518	SEE S980 000518
8	S273 002020	O-KROUŽEK 20 x 2	O-RING 20 x 2
9	S273 001001	O-KROUŽEK	O-RING

Pos. Det.	Díllec č. Part No.	Název	Denomination

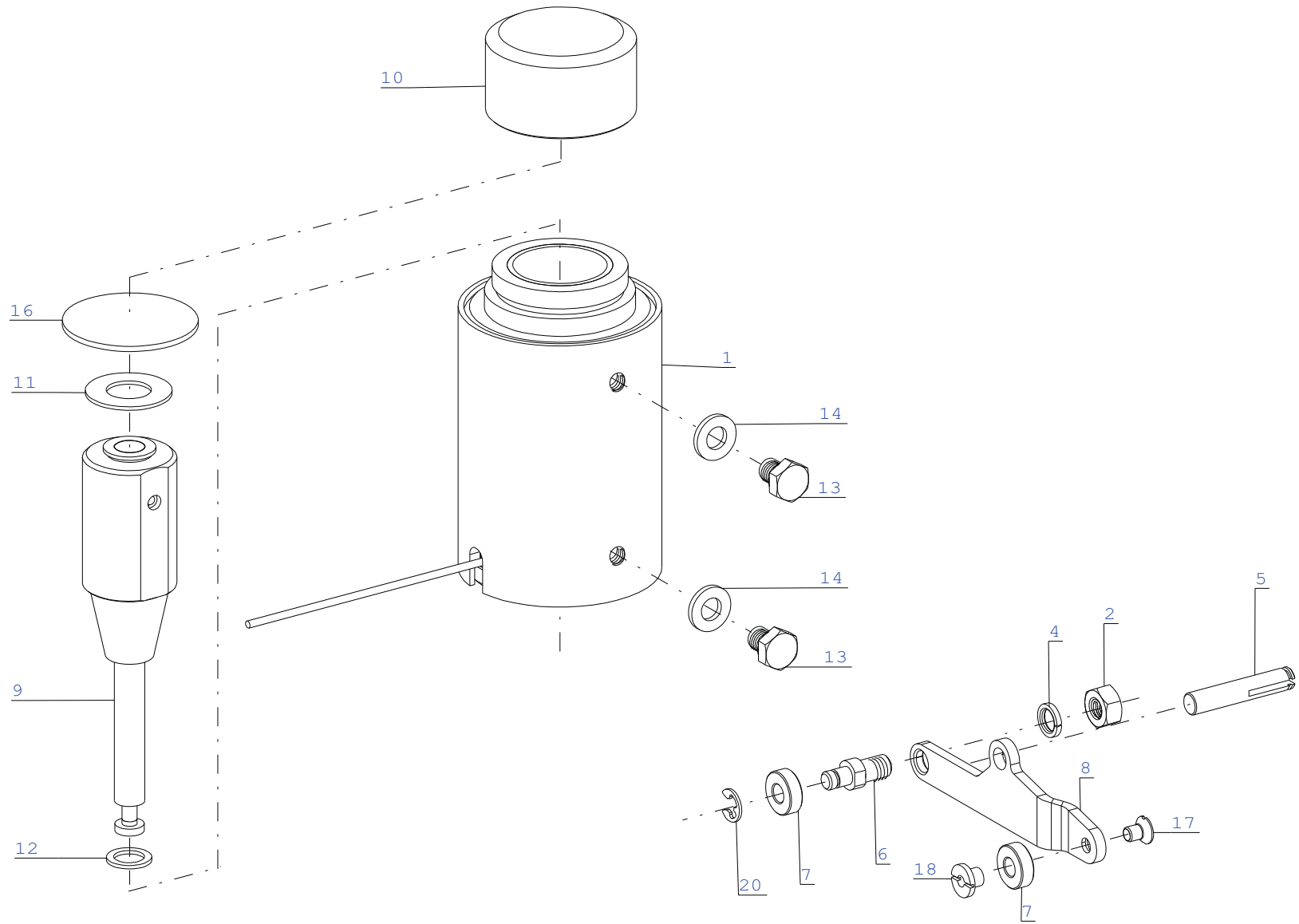




M 519

Pos. Det.	Dílec č. Part No.	Název	Denomination
	S980 000519	POHON ODSTŘIHU NITI	THREAD TRIMMER DRIVE
1	S981 094079	ELEKTROMAGNET ÚPLNÝ	ELECTROMAGNET CPL.
2	S981 045575	VAČKA ÚPLNÁ	CAM CPL.
3	S981 060190	KLADKA ÚPLNÁ	ROLLER CPL.
4	S981 094080	ELEKTROMAGNET ÚPLNÝ	ELECTROMAGNET CPL.
5	S080 341253	VODÍCÍ TYČ	GUIDING BAR
6	S080 161145	MATICE M3	NUT M3
7	S080 120373	ŠROUB	SCREW
8	S080 263277	PRŮŽINA ODSTŘIHU	SPRING OF THREAD TRIMMING
9	S080 120441	ŠROUB	SCREW
11	S080 111376	ŠROUB	SCREW
12		VIZ POS. 2	SEE 2
16	S080 120293	ŠROUB M5 x 12	SCREW M5 x 12
17		VIZ POS. 3	SEE 3
18		VIZ POS. 3	SEE 3
21	S311 732005	POJ. KROUŽEK	RETAINING RING
22	S980 027598	JÁDRO ÚPLNÉ	CORE CPL.
23	S980 094011	ELEKTROMAGNET	ELECTROMAGNET
24	S311 732040	POJ. KROUŽEK	RETAINING RING
25	9202 002467	ŠROUB	SCREW
26		VIZ POS. 1	SEE 1
31	S080 126065	ŠROUB	SCREW
32	S980 094061	CÍVKA ÚPLNÁ	INDUCTION COIL CPL.
33	S080 814485	PŘÍRUBA	FLANGE
34	9203 313022	ŠROUB	SCREW
35	9217 300518	ŠROUB	SCREW
36	S080 441689	TÉLESO MAGNETU	BODY OF ELECTROMAGNET

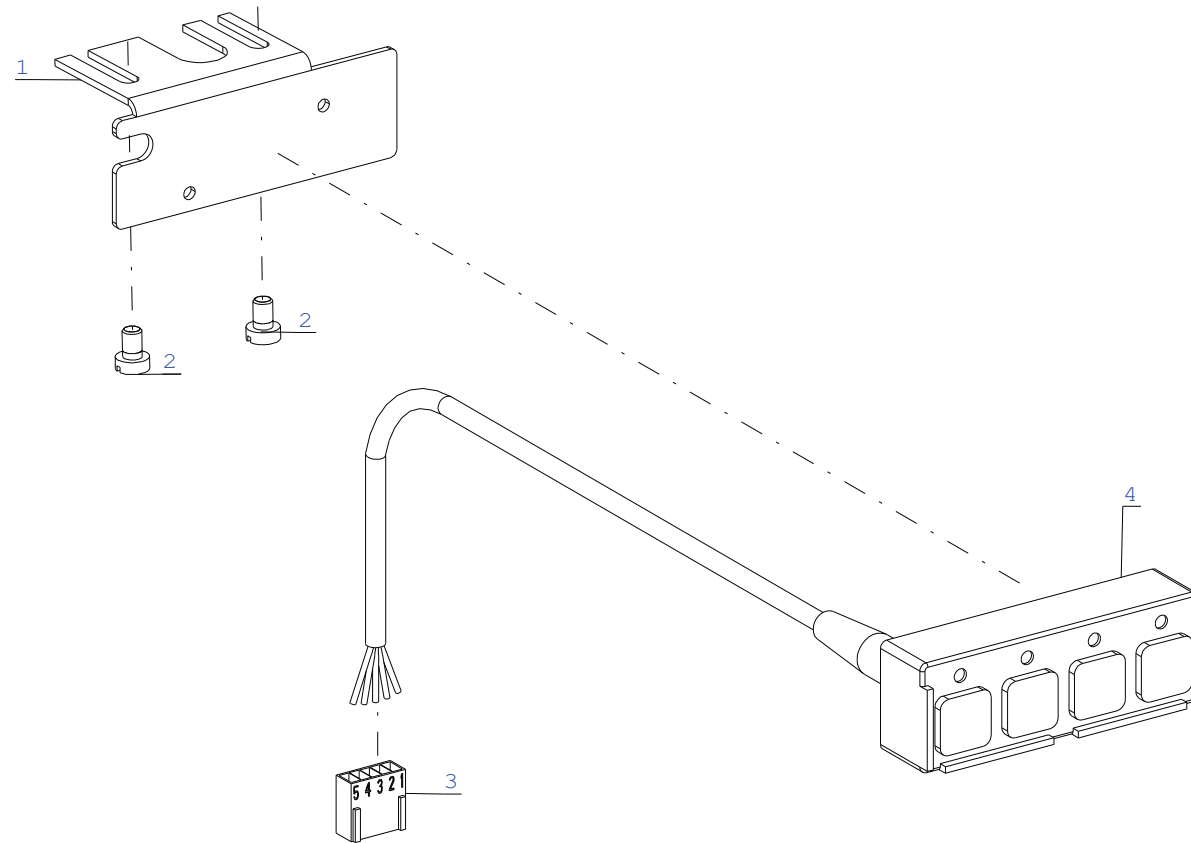
Pos. Det.	Dílec č. Part No.	Název	Denomination
--------------	----------------------	-------	--------------



M 249

Pos. Det.	Dílec č. Part No.	Název	Denomination
.....	S980 000249	ELEKTROMAGNETICKÉ ZPÁTKOVÁNÍ	EMG BACKTACKING
1	VIZ S980 000249	SEE S980 000249
2	S080 161142	MATICE M6	NUT M6
4	S080 191108	PODLOŽKA	WASHER
5	S080 318234	ČEP	PIN
6	VIZ S980 000249	SEE S980 000249
7	S080 418184	KLADKA	ROLLER
8	VIZ S980 000249	SEE S980 000249
9	VIZ S980 000249	SEE S980 000249
10	VIZ S980 000249	SEE S980 000249
11	S080 943212	PODLOŽKA	WASHER
12	S080 190675	PODLOŽKA	WASHER
13	S080 141111	ŠROUB M6 x 8	SCREW M6 x 8
14	S080 190346	PODLOŽKA 6,4	WASHER 6.4
16	VIZ S980 000249	SEE S980 000249
17	S080 123117	ŠROUB	SCREW
18	S080 425327	POUZDRO	CASE
20	S311 732040	POJ. KROUŽEK	RETAINING RING

Pos. Det.	Dílec č. Part No.	Název	Denomination
--------------	----------------------	-------	--------------



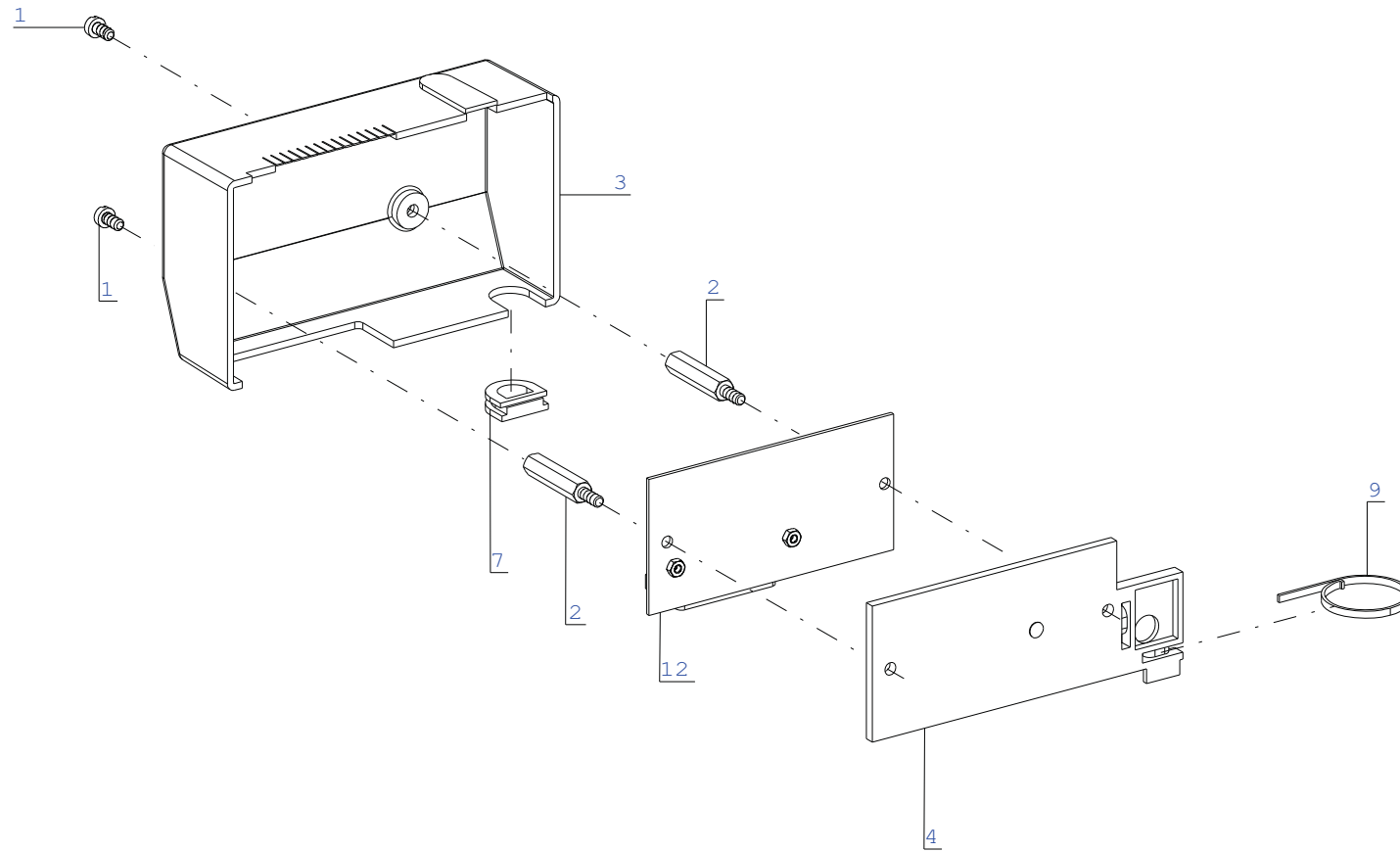
1	Ž LUT Á	YELLOW
2	ZELEN Á	GREEN
3	HN Ě D Á	BROWN
4	B Í L Á	WHITE
5	Š ED Á	GREY

M 521

Pos. Det.	Dílec č. Part No.	Název	Denomination
	S980 000521	TLAČÍTKOVÝ PANEĽ	PUSH-BUTTON PANEL
1	S080 839346	DRŽÁK	HOLDER
2	S309 738406	ŠROUB	SCREW
3		VIZ S980 000521	SEE S980 000521
4	9880 003000	TLAČÍTKO	PRESS BUTTON

Pos. Det.	Dílec č. Part No.	Název	Denomination
--------------	----------------------	-------	--------------

TAB18

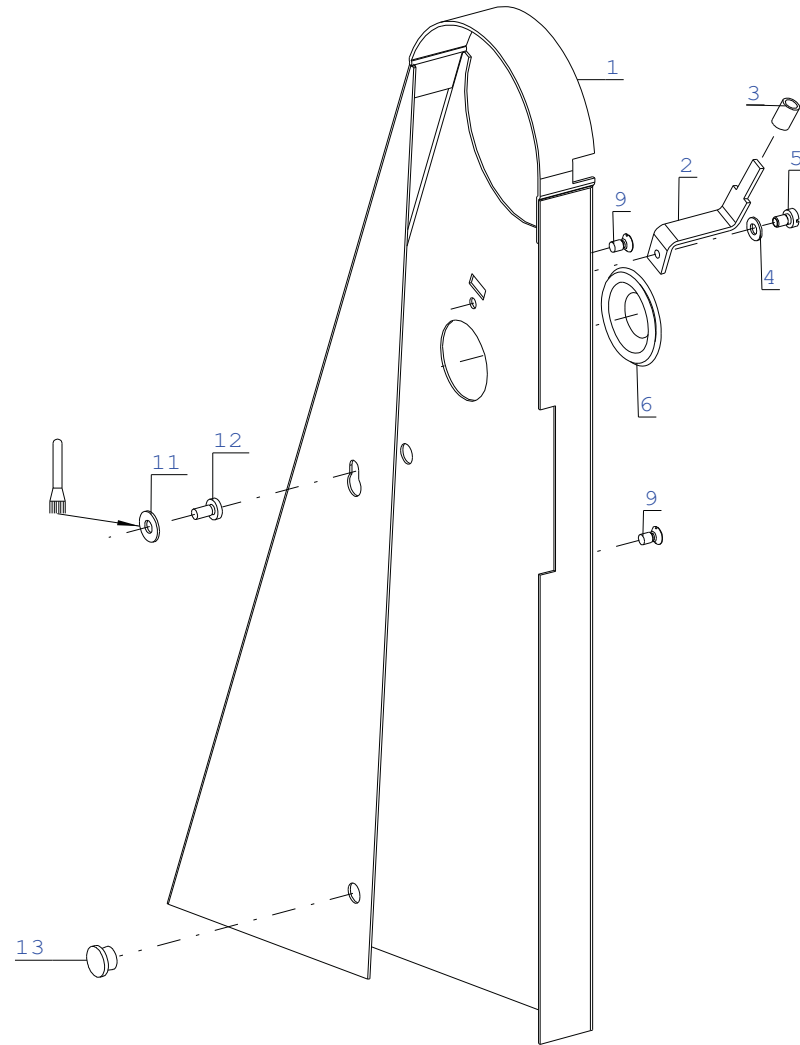


M 008

Pos. Det.	Dílec č. Part No.	Název	Denomination
.....	S980 000008	ELEKTRICKÝ ROZVADĚČ	ELECTRICAL SWITCH BOARD
1	S080 120410	ŠROUB M4 x 8	SCREW M4 x 8
2	S080 146060	ŠROUB	SCREW
3	S321 952449	KRYT	COVER
4	S321 952451	PODLOŽKA	WASHER
7	S273 940165	PRŮCHODKA	BUSHING
9	S562 411000	NG PÁSEK 2,5 x 135	NG BAND 2.5 x 135
12	S980 094029	DESKA ROZVODU	PLATE OF WIRING

Pos. Det.	Dílec č. Part No.	Název	Denomination
--------------	----------------------	-------	--------------

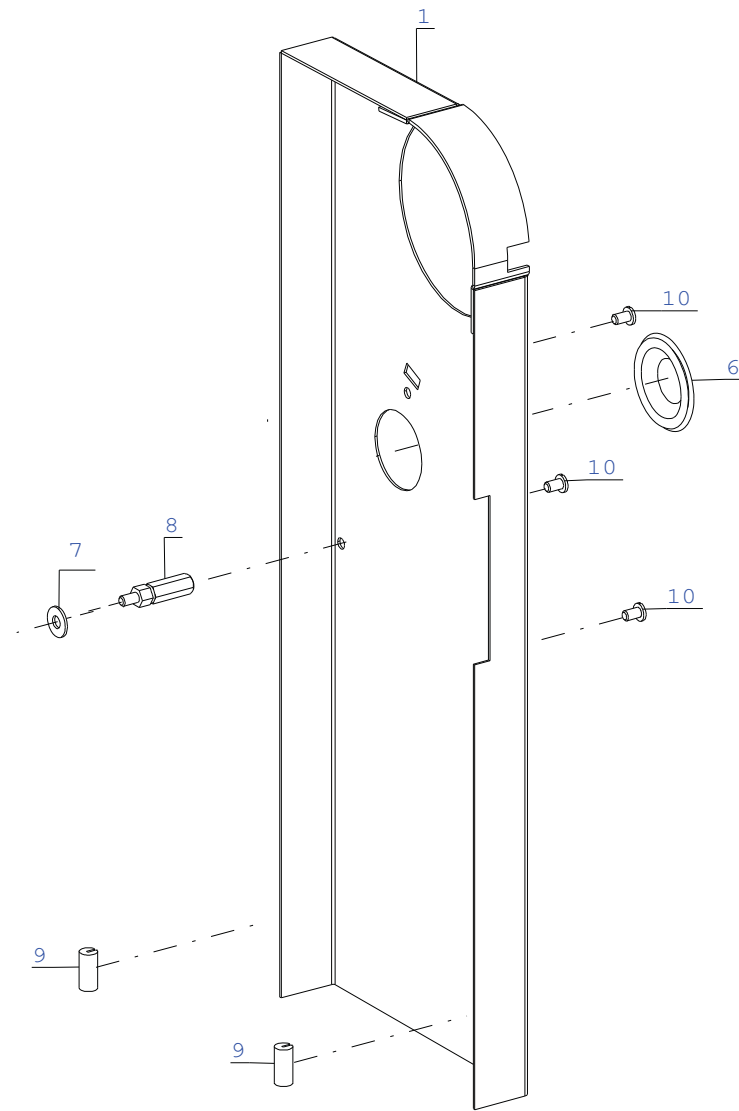
TAB19



M 264

Pos. Det.	Dílec č. Part No.	Název	Denomination
1	S980 057264	KRYT ŘEMENE	COVER OF BELT
2	S080 839323	ZARÁŽKA	STOPMOTION
3	S283 002001	HADIČKA PVC	HOSE PVC
4	S080 190369	PODLOŽKA 4,3	WASHER 4.3
5	S080 120409	ŠROUB M4 x 6	SCREW M4 x 6
6	S321 833821	ZASL. ZÁTKA 1833821	PLUG 1833821
9	S080 123117	ŠROUB	SCREW
11	S080 940179	PODLOŽKA	WASHER
12	S309 798408	ŠROUB M4 x 8	SCREW M4 x 8
13	S273 005001	VLOŽKA	INSERT

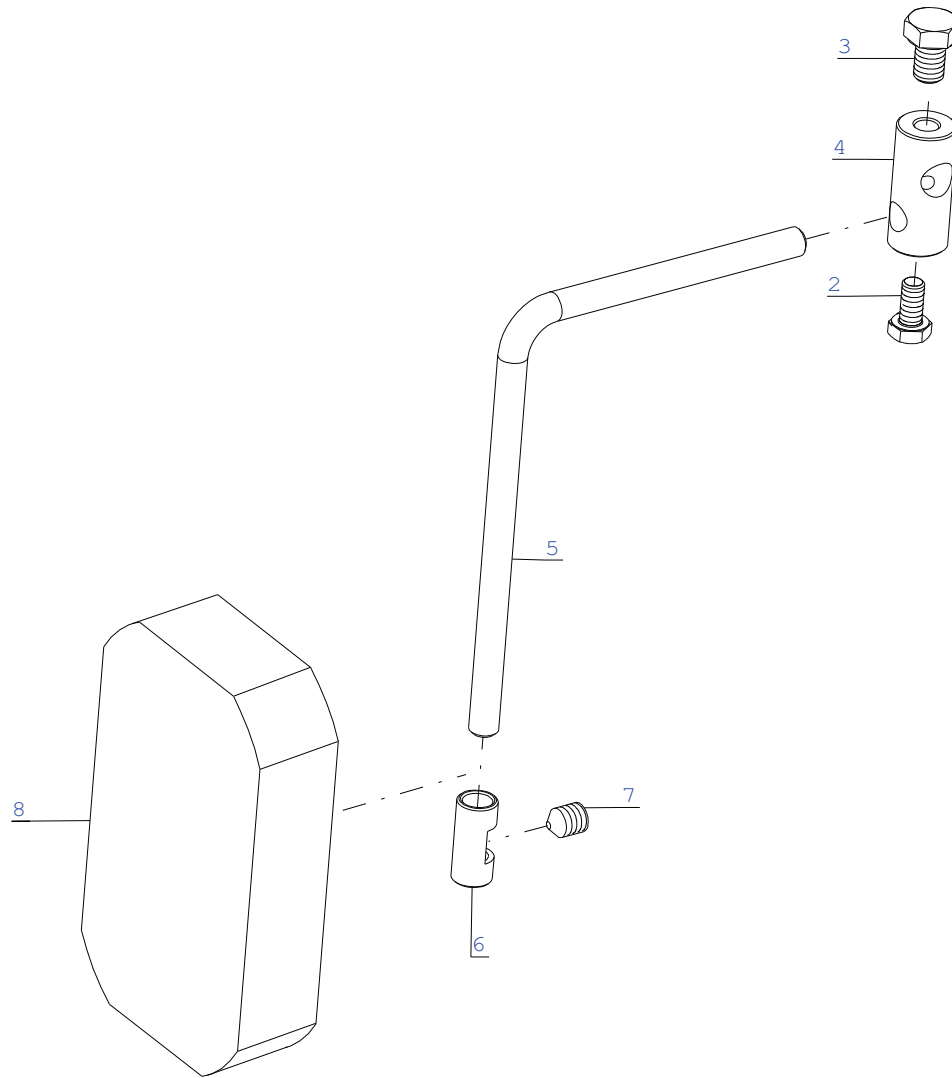
Pos. Det.	Dílec č. Part No.	Název	Denomination
--------------	----------------------	-------	--------------



M 266

Pos. Det.	Dílec č. Part No.	Název	Denomination
1	S980 057270	KRYT ÚPLNÝ	COVER CPL.
6	S321 833821	ZÁTKA	PLUG
7	S080 191120	PODLOŽKA	WASHER
8	S080 146058	ŠROUB	SCREW
9	S080 940177	DORAZ	STOP
10	S080 123117	ŠROUB	SCREW

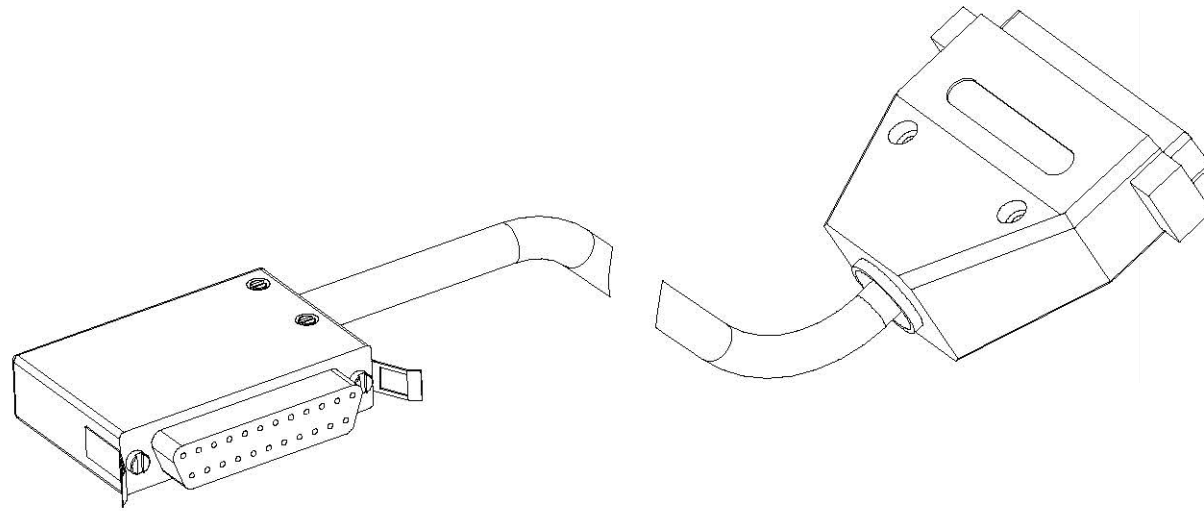
Pos. Det.	Dílec č. Part No.	Název	Denomination
--------------	----------------------	-------	--------------



M 070

Pos. Det.	Dílec č. Part No.	Název	Denomination
.....	S980 000070	KOLENNÍ PÁKA	KNEE LEVER
2.....	S080 141098	ŠROUB M6 x 12	SCREW M6 x 12
3.....	S080 141121	ŠROUB M8 x 12	SCREW M8 x 12
4.....	VIZ S980 000070	SEE S980 000070
5.....	VIZ S980 000070	SEE S980 000070
6.....	S080 416146	POUZDRO	CASE
7.....	9205 102788	ŠROUB	SCREW
8.....	0396 130013	OPĚRKA	CUSHION

Pos. Det.	Dílec č. Part No.	Název	Denomination
--------------	----------------------	-------	--------------

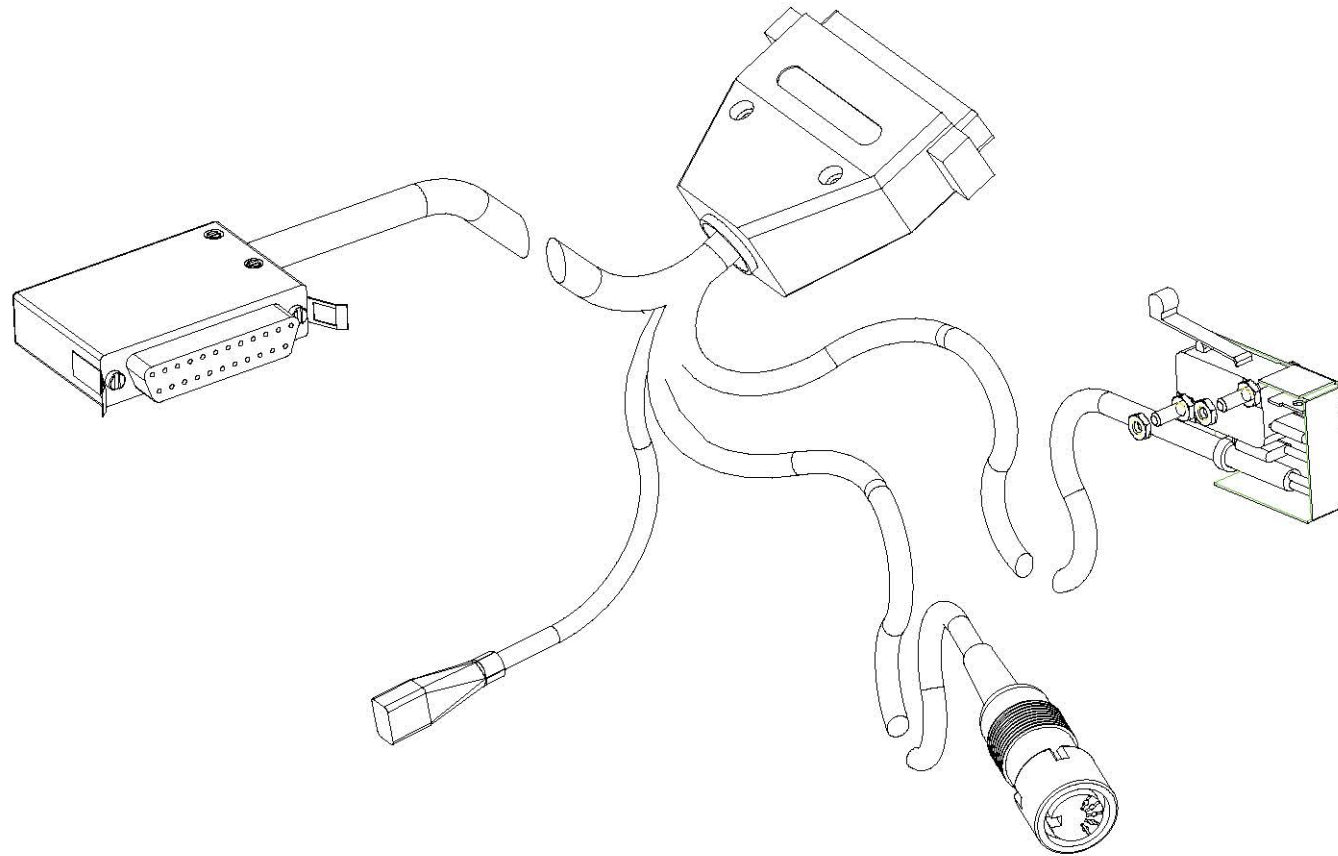


M 163

Pos. Det.	Dílec č. Part No.	Název	Denomination
.....	S980 000163	PROPOJOVACÍ KABEL EFKA	CONNECTING CABLE EFKA

Pos. Det.	Dílec č. Part No.	Název	Denomination
--------------	----------------------	-------	--------------

TAB24

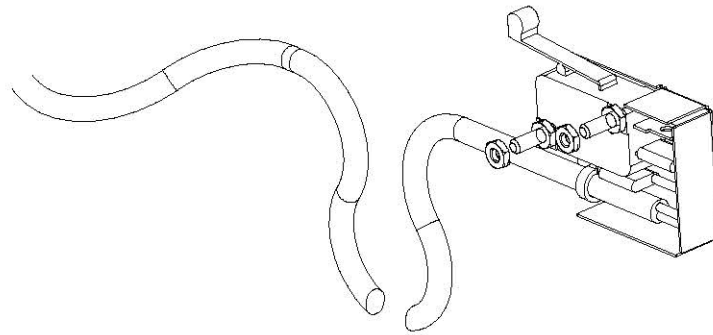
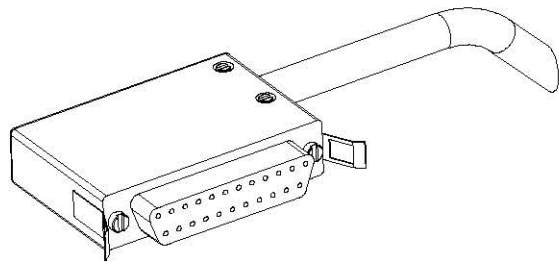


M 301

Pos.	Dílec č.	Název	Denomination
Det.	Part No.		
.....	S980 000301	PROPOJOVACÍ KABEL	CONNECTING CABLE

Pos.	Dílec č.	Název	Denomination
Det.	Part No.		

TAB. 25

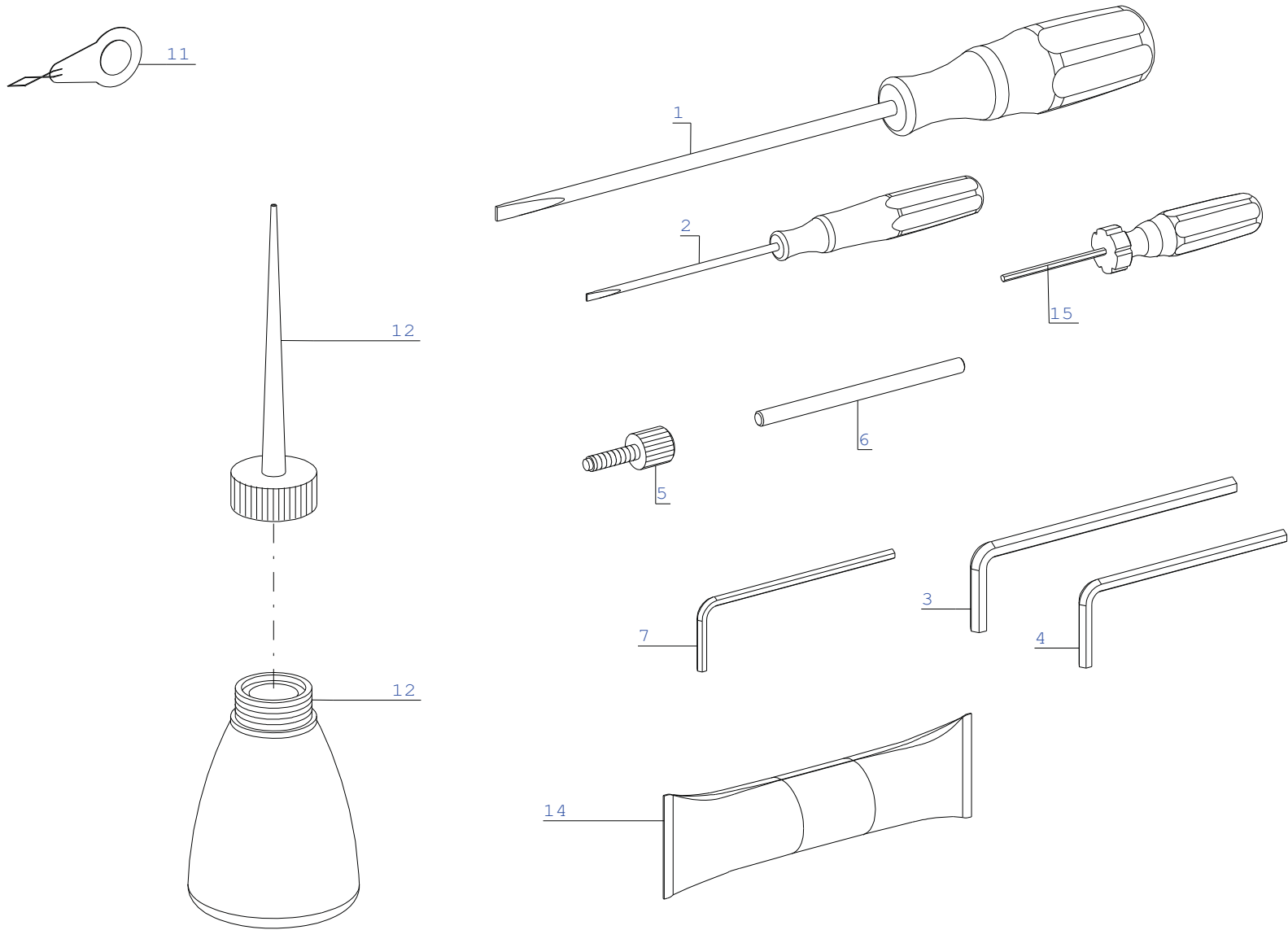


M 325

Pos. Det.	Díllec č. Part No.	Název	Denomination
.....	S980 000325	PROPOJOVACÍ KABEL	CONNECTING CABLE

Pos. Det.	Díllec č. Part No.	Název	Denomination
--------------	-----------------------	-------	--------------

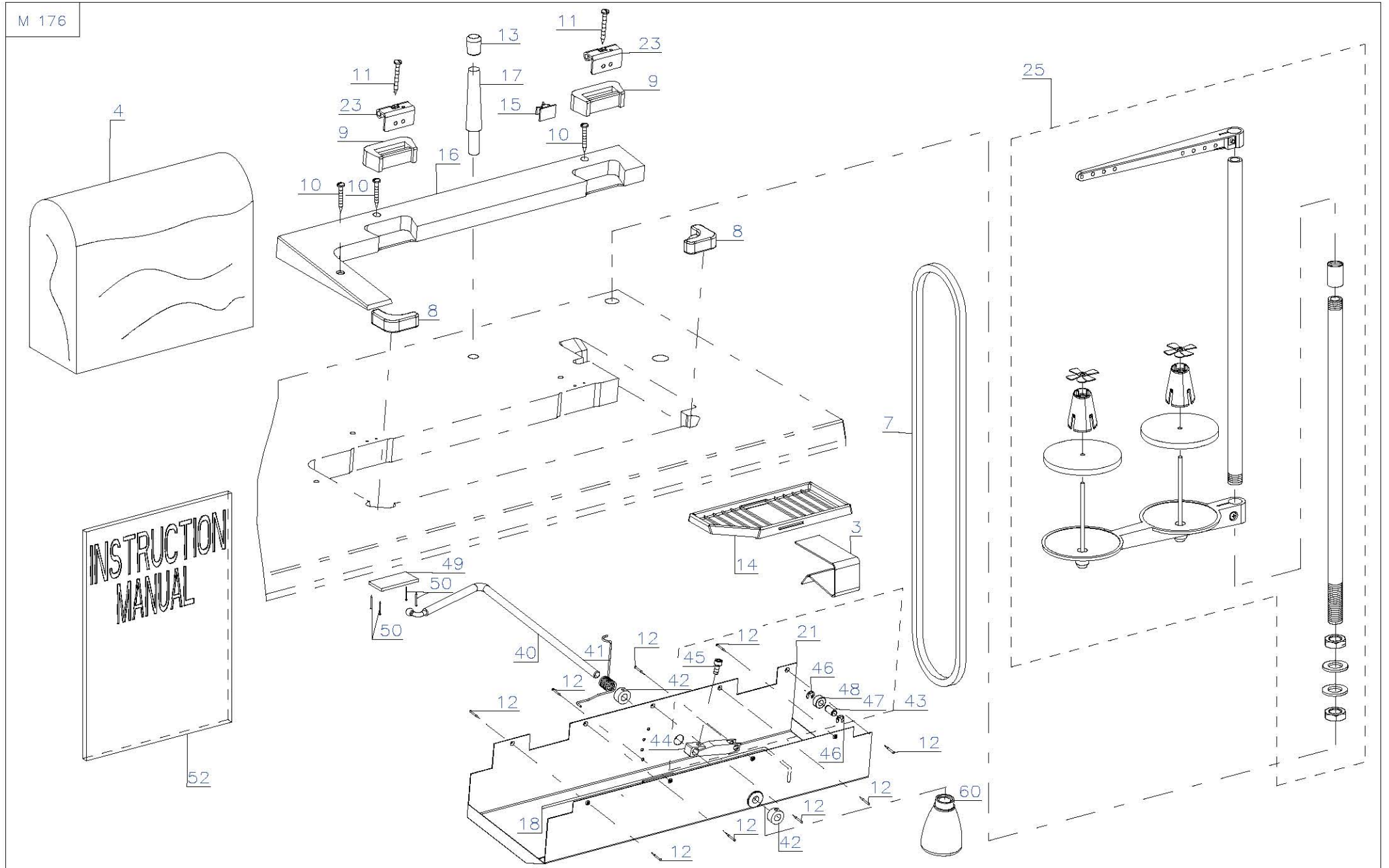
TAB 26



M 015

Pos. Det.	Dílec č. Part No.	Název	Denomination
.....	S980 000015	STANDARDNÍ PŘÍSLUŠENSTVÍ	STANDARD ACCESSORIES
1	9081 500051	ŠROUBOVÁK	SCREWDRIVER
2	9081 500010	ŠROUBOVÁK	SCREWDRIVER
3	S413 000500	KLÍČ IMBUS 5	SPANNER IMBUS 5
4	S413 000400	KLÍČ IMBUS 4	SPANNER IMBUS 4
5	S080 133124	ARETAČNÍ ŠROUB	FIXING SCREW
6	S080 310470	NASTAVOVACÍ KOLÍK	SETTING PIN
7	S413 000500	KLÍČ IMBUS 3	SPANNER IMBUS 3
11	S548 001000	NAVLEKAČ NITÍ	THREADING OF THREAD
12	0052 000369	OLEJNÍČKA	OIL CAN
14	0211 000699	MAZACÍ OLEJ	OIL
15	9081 100251	ŠROUBOVÁK	SCREWDRIVER

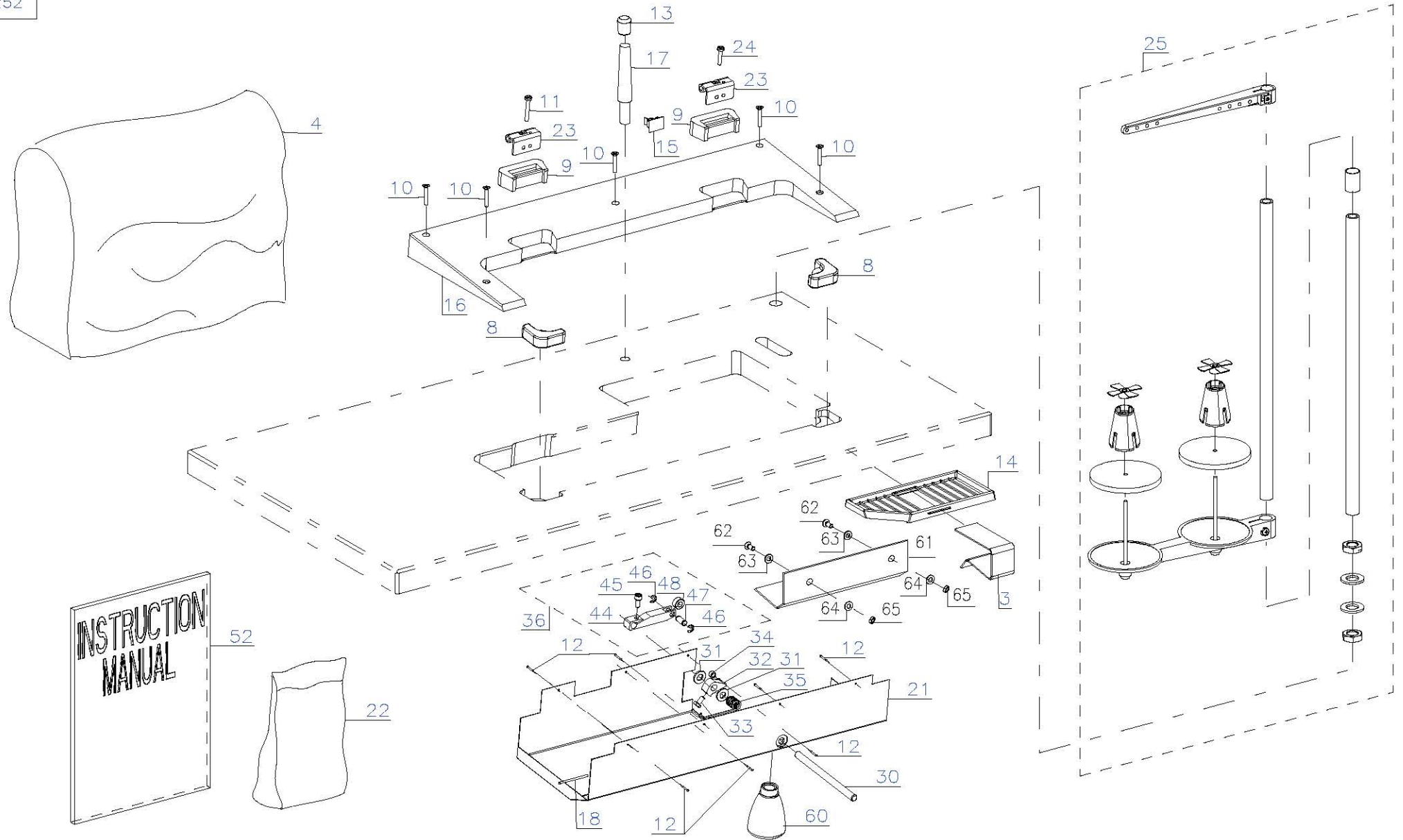
Pos. Det.	Dílec č. Part No.	Název	Denomination
--------------	----------------------	-------	--------------



M 176

Pos. Det.	Dílec č. Part No.	Název	Denomination
3	S080 826387	PŘÍCHYTKA	CLIP
4	0104 250010	KRYT	COVER
7	S272 226001	KLÍNOVÝ ŘEMEN	V-BELT
8	0907 010050	VLOŽKA	INSERT
9	S273 940127	VLOŽKA	INSERT
10	S311 400030	VRUT 5 x 30	SCREW 5 x 30
11	S311 400040	VRUT 5 x 40	SCREW 5 x 40
12	9840 123002	HŘEB 2 x 23	NAIL 2 x 23
13	S321 026000	ČEPIČKA 16 x 26	CAP 16 x 26
14	S321 953251	MISKA	DISH
15	S345 172000	KABEL. PŘÍCHYTKA	CABLE CLIP
16	S615 912025	KLÍN	WEDGE
17	S615 932046	KOLÍK	PIN
18	S708 130003	KNOT MAZACÍ	WICK LUBRICATING
21	S980 057265	OLEJOVÁ VANA S POUZDRY	OIL TRAY WITH BUSHINGS
23	S980 060198	ZÁVĚS ÚPLNÝ	HANGER CPL.
25	S981 036162	NIŤ. STOJÁNEK PRO JEDNOJEHL.ST.	THREAD STAND FOR SINGLE-NEEDLE MACHINES
40	S080 383206	PÁKA	LEVER
41	S080 264330	PRUŽINA	SPRING
42	S980 052057	STAVĚCÍ KROUŽEK	REGULATING RING
43	S981 027603	PÁKA ÚPLNÁ	LEVER CPL.
44		VIZ POS. 43	SEE 43
45	S080 120295	ŠROUB	SCREW
46	S311 732060	POJ. KROUŽEK	RETAINING RING
47		VIZ POS. 43	SEE 43
48		VIZ POS. 43	SEE 43
49	S080 941091	PODLOŽKA	WASHER
50	S314 016020	HŘEB 1,6 x 20	NAIL 1.6 x 20
52		DOKUMENTACE DLE TYPU STROJE	DOCUMENTATION OF THE MACHINE TYPE
60	0052 000369	OLEJNIČKA	OIL CAN

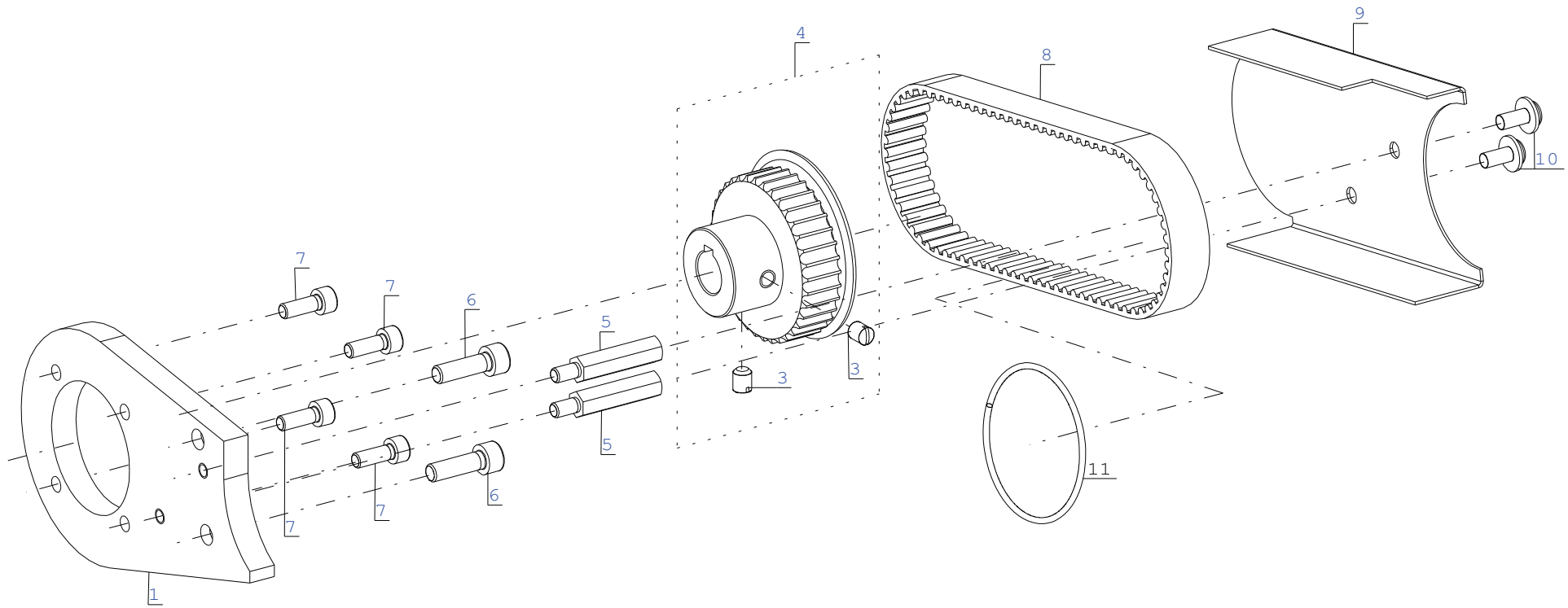
Pos. Det.	Dílec č. Part No.	Název	Denomination
--------------	----------------------	-------	--------------



M 252

Pos. Det.	Dílec č. Part No.	Název	Denomination
3	S080 826387	PŘÍCHYTKA	CLIP
4	0104 250010	KRYT	COVER
8	0907 010050	VLOŽKA	INSERT
9	S273 940127	VLOŽKA	INSERT
10	S311 400030	VRUT 5 x 30	SCREW 5 x 30
11	S311 400040	VRUT 5 x 40	SCREW 5 x 40
12	9840 123002	HŘEB	NAIL
13	S321 026000	ČEPIČKA 16 x 26	CAP 16 x 26
14	S321 953251	MISKA	DISH
15	S345 172000	KABEL. PŘÍCHYTKA	CABLE CLIP
16	S980 061238	KLÍN	WEDGE
17	S615 932046	KOLÍK	PIN
18	S708 130003	KNOT MAZACÍ	WICK LUBRICATING
21	S980 057274	OLEJOVÁ VANA ÚPLNÁ	OIL TRAY CPL.
22	S981 094058	ELEKTROINSTALAČNÍ MATERIÁL	MATERIAL OF EL.INSTALATION
23	S980 060198	ZÁVĚS ÚPLNÝ	HANGER CPL.
24	S309 798025	ŠROUB	SCREW
25	S981 036162	NIŤ. STOJÁNEK PRO JEDNOJEHL.ST.	THREAD STAND FOR SINGLE-NEEDLE MACHINES
30	S080 314210	HŘÍDEL	SHAFT
31	S080 941107	KROUŽEK	RING
32	S080 625022	NARÁŽKA	STOP
33	S080 141141	ŠROUB	SCREW
34	S283 068001	HADIČKA PVC	HOSE PVC
35	S315 264339	PRUŽINA	SPRING
36	S981 027603	PÁKA ÚPLNÁ	LEVER CPL.
44	S080 625186	PÁKA	LEVER
45	S080 120295	ŠROUB	SCREW
46	S311 732060	POJIŠTOVACÍ KROUŽEK	RETAINING RING
47	S080 318238	ČEP	PIN
48	S080 418183	KLADKA	ROLLER
52		Dokumentace dle typu stroje	Documentation of the machine type
60	0052 000369	OLEJNÍČKA	OIL CAN
61	S080 831722	KRYT	COVER
62	9201 112877	ŠROUB	SCREW
63	9330 700107	PODLOŽKA	WASHER
64	9330 000098	PODLOŽKA	WASHER
65	9231 110108	MATICE	NUT

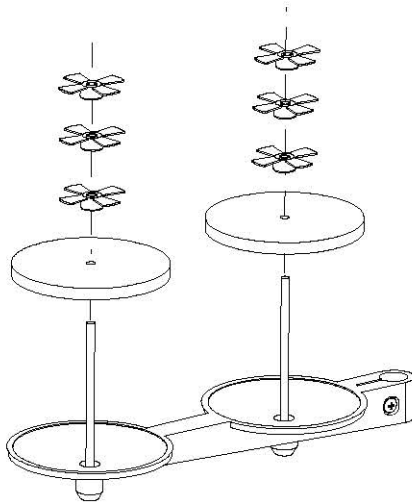
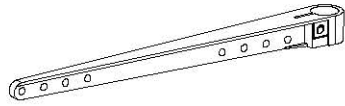
Pos. Det.	Dílec č. Part No.	Název	Denomination
--------------	----------------------	-------	--------------



M 300

Pos. Det.	Dílec č. Part No.	Název	Denomination
1	S080 836488	DRŽÁK	HOLDER
3	S080 111236	ŠROUB	SCREW
4	S981 045566	ŘEMENICE ÚPLNÁ	PULLEY CPL.
5	S080 146064	ŠROUB	SCREW
6	9202 002908	ŠROUB	SCREW
7	S309 543512	ŠROUB	SCREW
8	S272 100519	OZUBENÝ ŘEMEN	TOOTHED BELT
9	S080 831710	KRYT	COVER
10	S309 000510	ŠROUB	SCREW
11	S080 274152	KROUŽEK	RING

Pos. Det.	Dílec č. Part No.	Název	Denomination
--------------	----------------------	-------	--------------

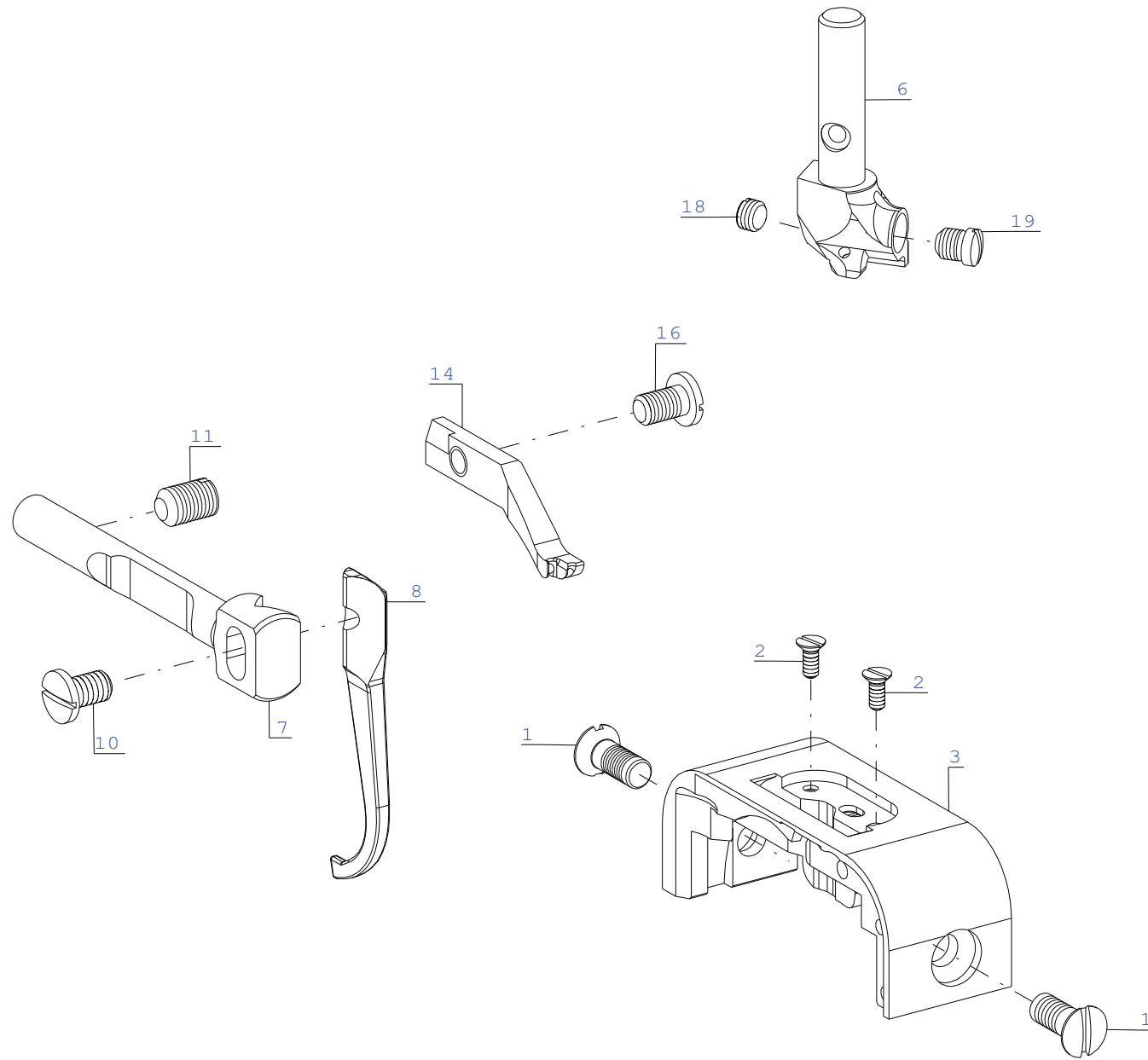


M 016

Pos. Det.	Dílec č. Part No.	Název	Denomination
.....	S980 000016	ROZŠÍŘENÍ NIŤOVÉHO STOJÁNKU	ADDITIONAL PART FOR THREAD STAND

Pos. Det.	Dílec č. Part No.	Název	Denomination
--------------	----------------------	-------	--------------

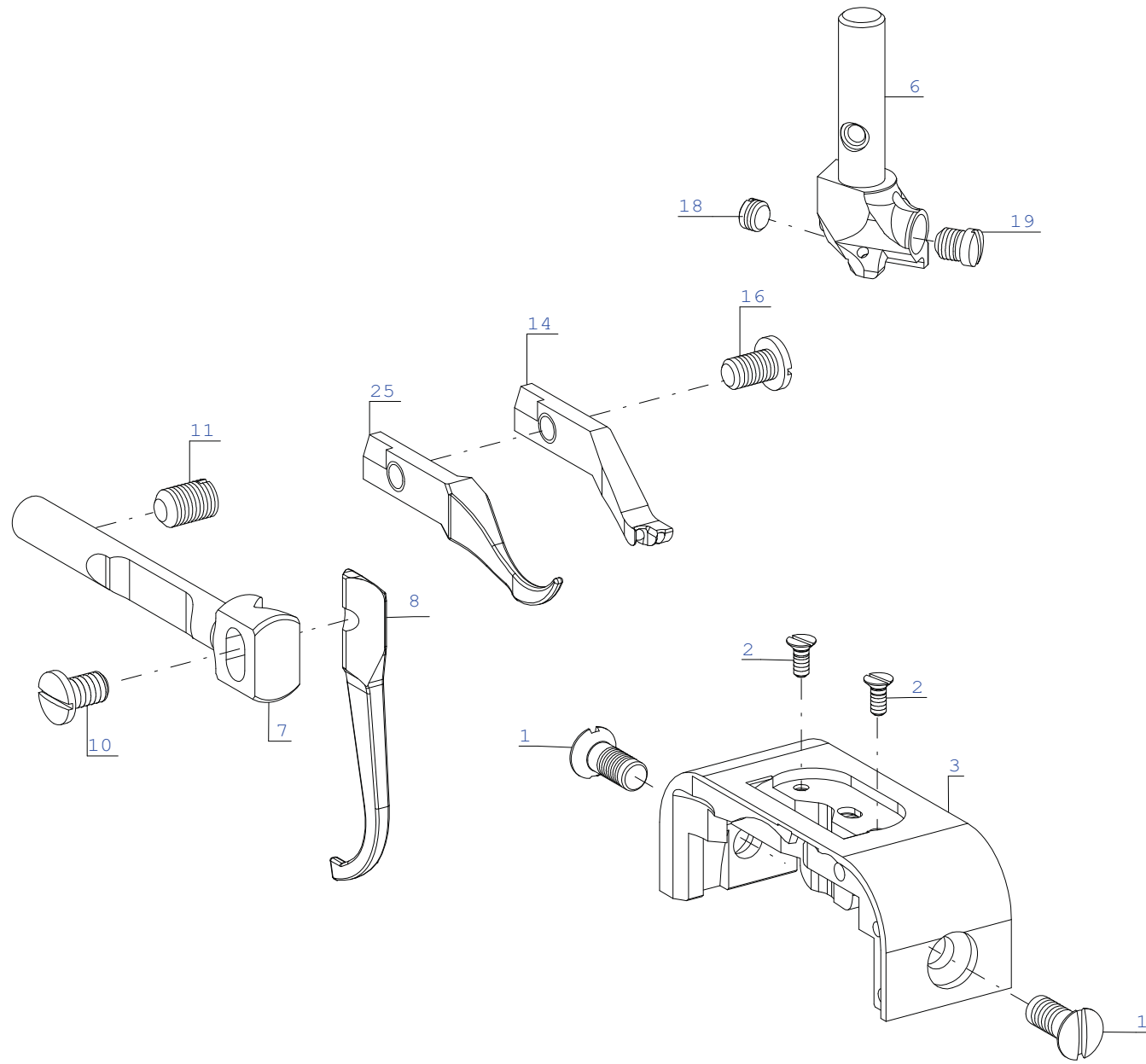
TAB 31



M 094

Pos. Det.	Dílec č. Part No.	Název	Denomination
.....	S980 000094	STEHOVÁ DESKA KOMPLETNÍ	THROAT PLATE CPL.
1	S080 123180	ŠROUB	SCREW
2	S080 126184	ŠROUB M2 x 6	SCREW M2 x 6
3	S080 811781	STEHOVÁ DESKA	THROAT PLATE
6	S080 394190	JEHELNÍK	NEEDLE HOLDER
7	S080 349213	DRŽÁK VODIČE	HOLDER
8	S080 623291	VODIČ JEHEL PŘEDNÍ	FRONT NEEDLE GUIDE
11	S080 111302	ŠROUB M5 x 8	SCREW M5 x 8
14	S080 623292	VODIČ JEHEL	NEEDLE GUIDE
16	S080 132112	ŠROUB	SCREW
18	S080 111109	ŠROUB	SCREW
19	S080 124051	ŠROUB JEHELNÍKU	SCREW

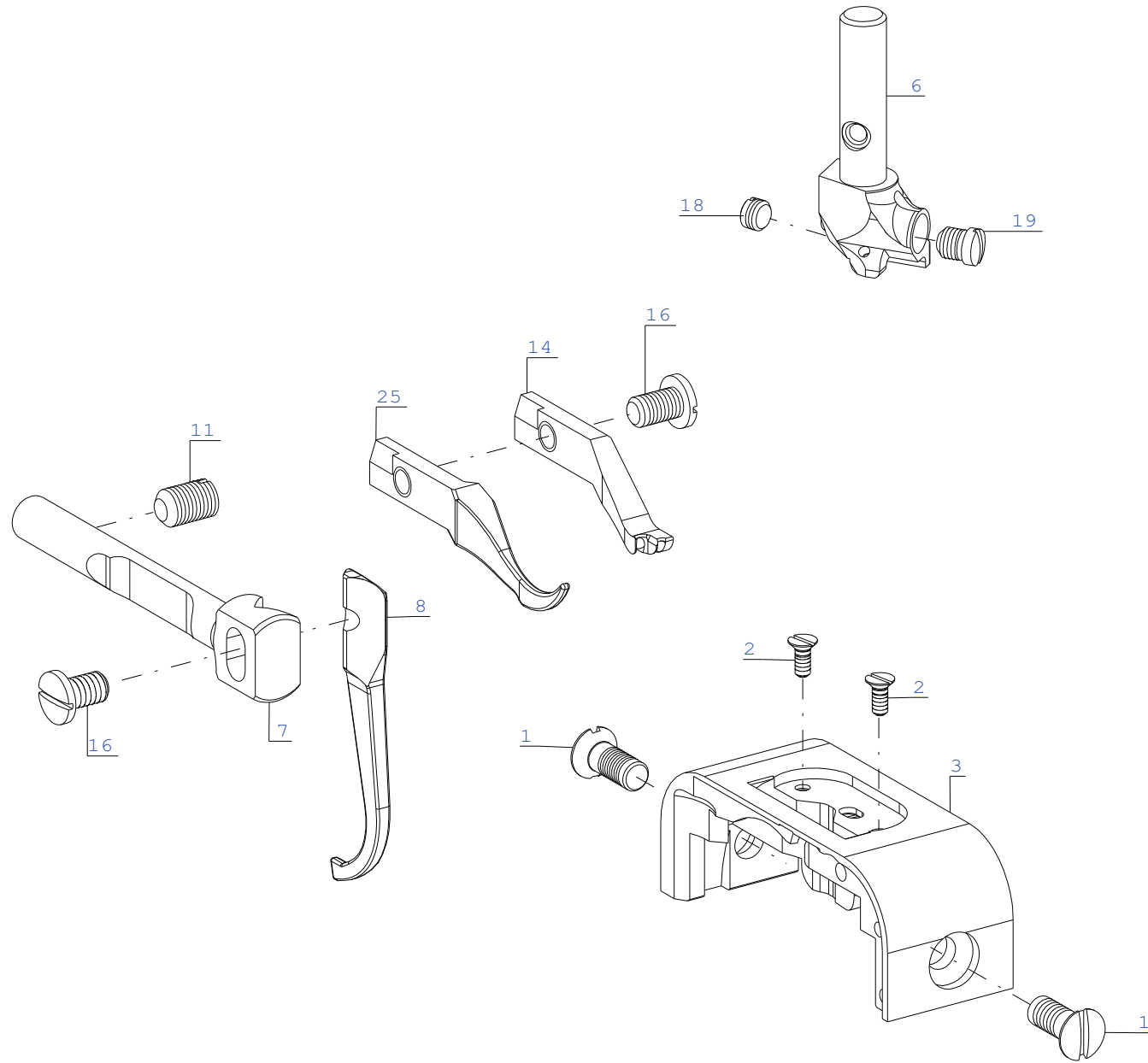
Pos. Det.	Dílec č. Part No.	Název	Denomination
--------------	----------------------	-------	--------------



M 071

Pos. Det.	Dílec č. Part No.	Název	Denomination
.....	S980 000071	STEHOVÁ DESKA KOMPLETNÍ	THROAT PLATE CPL.
1	S080 123180	ŠROUB	SCREW
2	S080 126184	ŠROUB	SCREW
3	S080 811769	STEHOVÁ DESKA	THROAT PLATE
6	S080 394190	JEHELNÍK	NEEDLE HOLDER
7	S080 349213	DRŽÁK VODIČE	HOLDER
8	S080 623291	VODIČ JEHEL PŘEDNÍ	FRONT NEEDLE GUIDE
11	S080 111302	ŠROUB M5 x 8	SCREW M5 x 8
14	S080 623288	VODIČ JEHEL	NEEDLE GUIDE
16	S080 132112	ŠROUB	SCREW
18	S080 111109	ŠROUB	SCREW
19	S080 124051	ŠROUB JEHELNÍKU	SCREW
25	S080 623297	VODIČ JEHEL	NEEDLE GUIDE

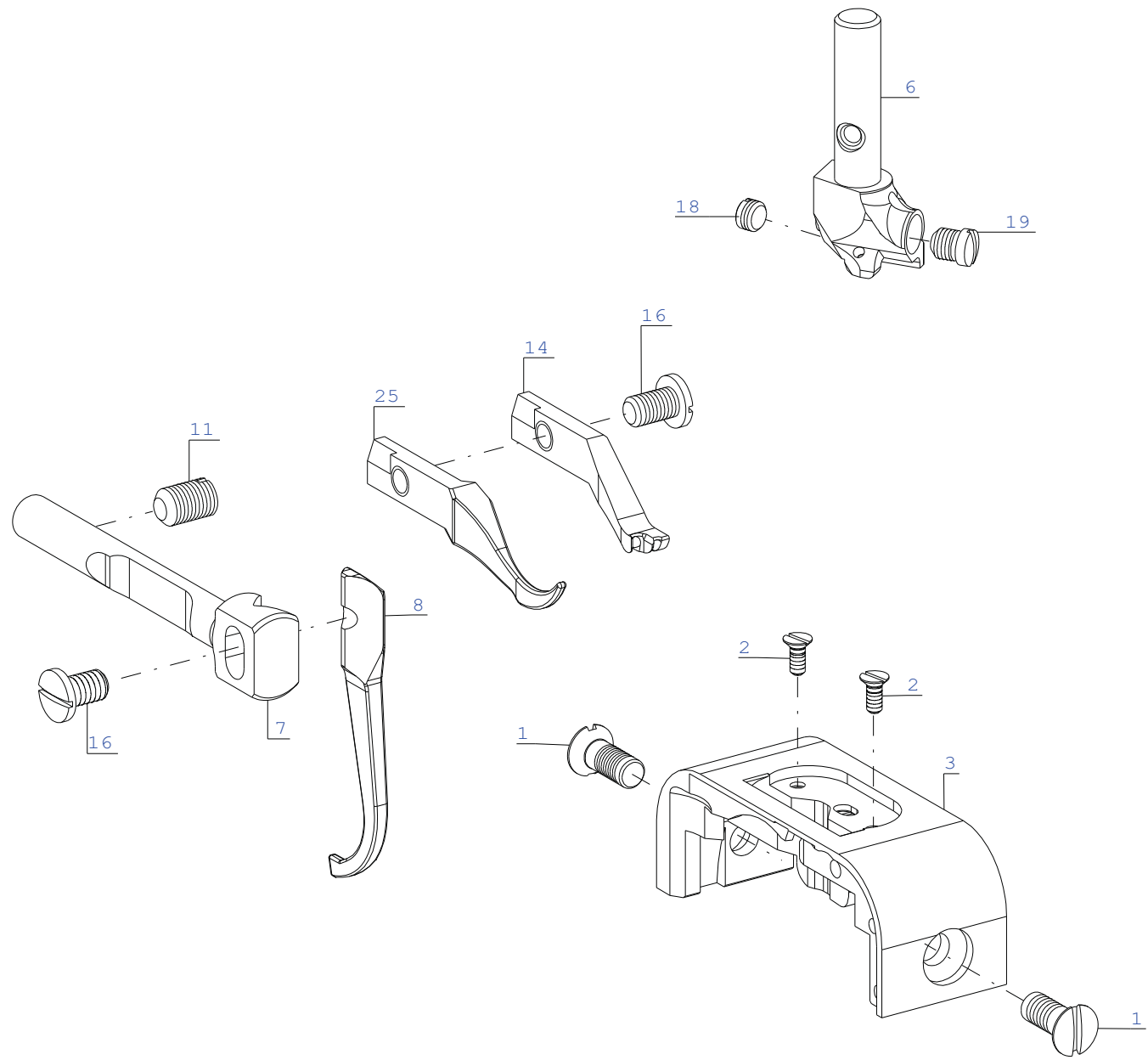
Pos. Det.	Dílec č. Part No.	Název	Denomination
--------------	----------------------	-------	--------------



M 072

Pos. Det.	Dílec č. Part No.	Název	Denomination
	S980 000072	STEHOVÁ DESKA KOMPLETNÍ	THROAT PLATE CPL.
1	S080 123180	ŠROUB	SCREW
2	S080 126184	ŠROUB	SCREW
3	S080 811770	STEHOVÁ DESKA	THROAT PLATE
6	S080 394202	JEHELNÍK	NEEDLE HOLDER
7	S080 349213	DRŽÁK VODIČE	HOLDER
8	S080 623291	VODIČ JEHEL PŘEDNÍ	FRONT NEEDLE GUIDE
11	S080 111302	ŠROUB M5 x 8	SCREW M5 x 8
14	S080 623293	VODIČ JEHEL	NEEDLE GUIDE
16	S080 132112	ŠROUB	SCREW
18	S080 111109	ŠROUB	SCREW
19	S080 124051	ŠROUB JEHELNÍKU	SCREW
25	S080 623297	VODIČ JEHEL	NEEDLE GUIDE

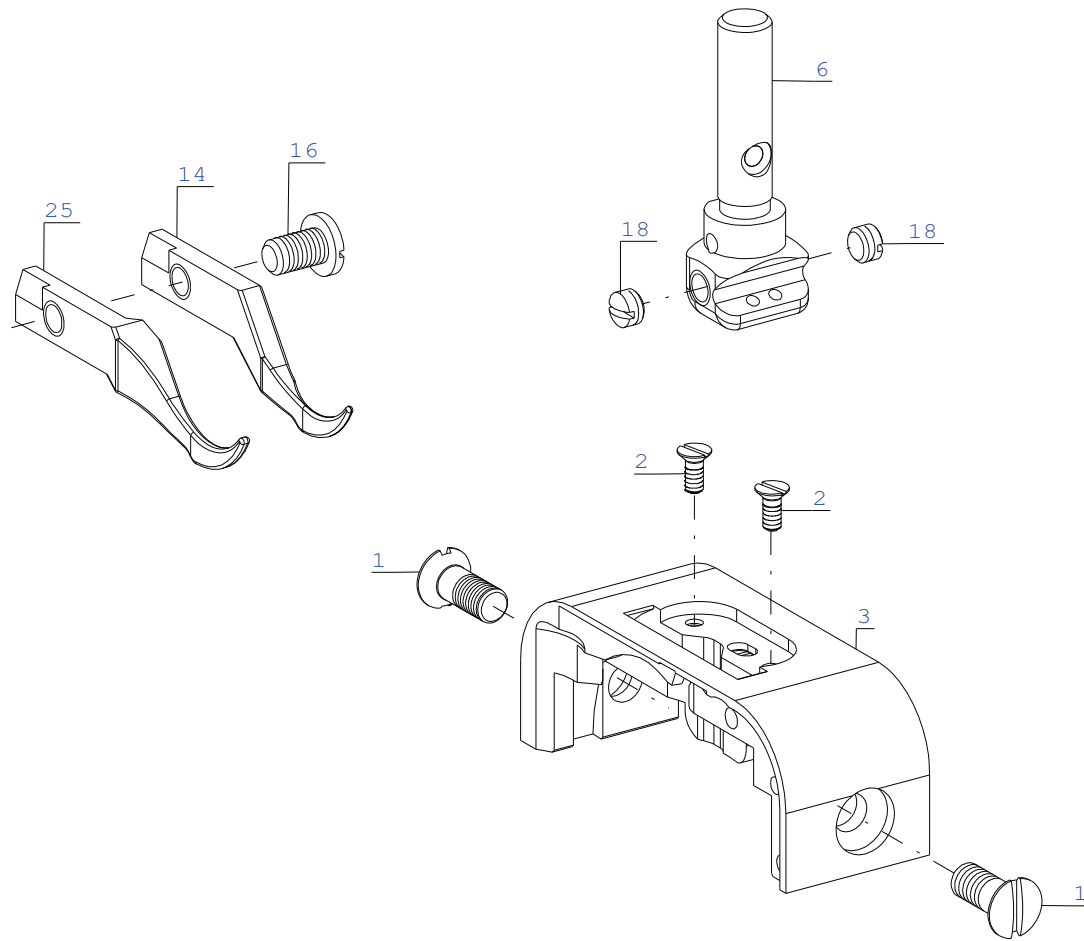
Pos. Det.	Dílec č. Part No.	Název	Denomination
--------------	----------------------	-------	--------------



M 073

Pos. Det.	Dílec č. Part No.	Název	Denomination
	S980 000073	STEHOVÁ DESKA KOMPLETNÍ	THROAT PLATE CPL.
1	S080 123180	ŠROUB	SCREW
2	S080 126184	ŠROUB	SCREW
3	S080 811773	STEHOVÁ DESKA	THROAT PLATE
6	S080 394202	JEHELNÍK	NEEDLE HOLDER
7	S080 349213	DRŽÁK VODIČE	HOLDER
8	S080 623291	VODIČ JEHEL PŘEDNÍ	FRONT NEEDLE GUIDE
11	S080 111302	ŠROUB M5 x 8	SCREW M5 x 8
14	S080 623294	VODIČ JEHEL	NEEDLE GUIDE
16	S080 132112	ŠROUB	SCREW
18	S080 111109	ŠROUB	SCREW
19	S080 124051	ŠROUB JEHELNÍKU	SCREW
25	S080 623297	VODIČ JEHEL	NEEDLE GUIDE

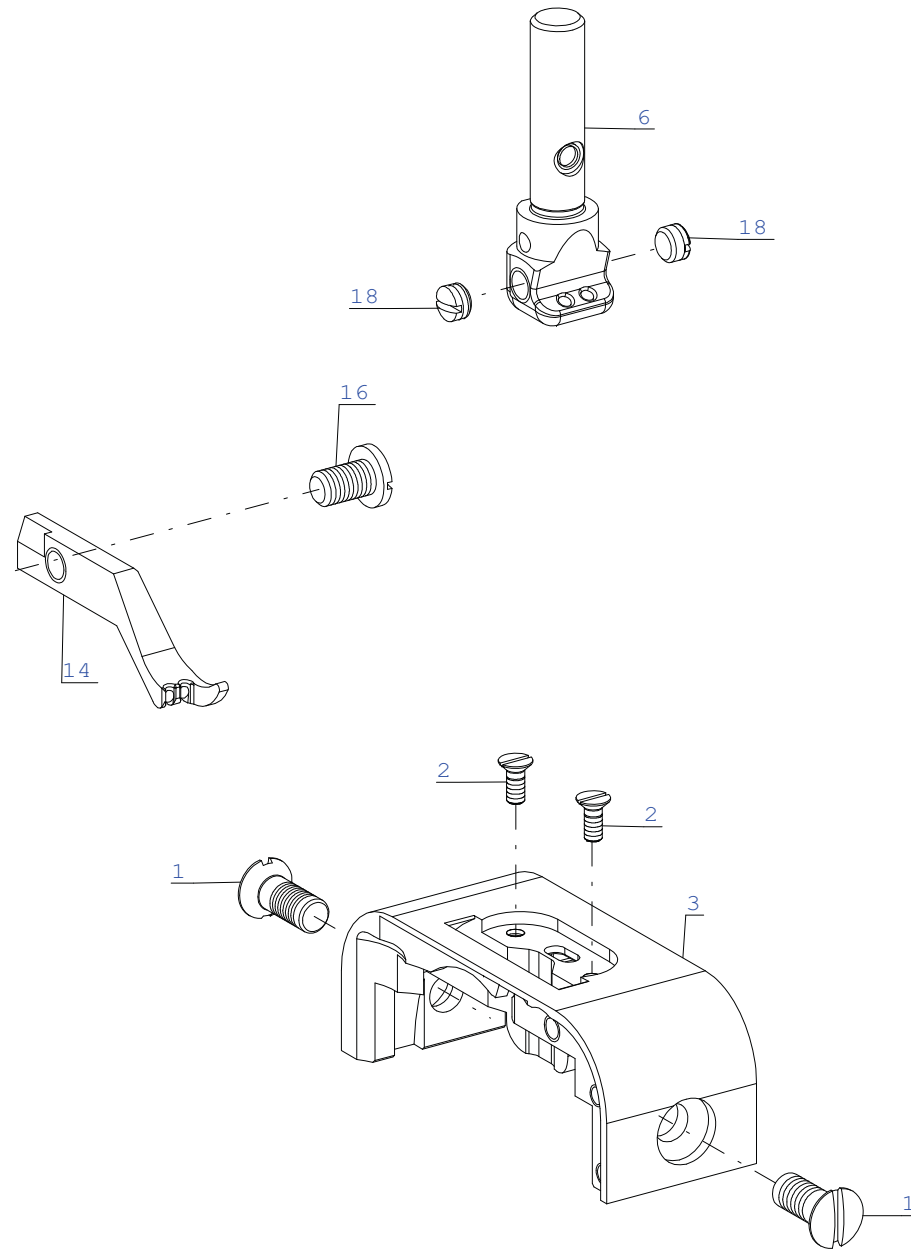
Pos. Det.	Dílec č. Part No.	Název	Denomination
--------------	----------------------	-------	--------------



M 095

Pos. Det.	Dílec č. Part No.	Název	Denomination
.....	S980 000095	STHOVÁ DESKA KOMPLETNÍ	THROAT PLATE CPL.
1	S080 123180	ŠROUB	SCREW
2	S080 126184	ŠROUB	SCREW
3	S080 811775	STHOVÁ DESKA	THROAT PLATE
6	S080 394168	JEHELNÍK	NEEDLE HOLDER
14	S080 623289	VODIČ JEHEL	NEEDLE GUIDE
16	S080 132112	ŠROUB	SCREW
18	S080 111109	ŠROUB	SCREW
25	S080 623297	VODIČ JEHEL	NEEDLE GUIDE

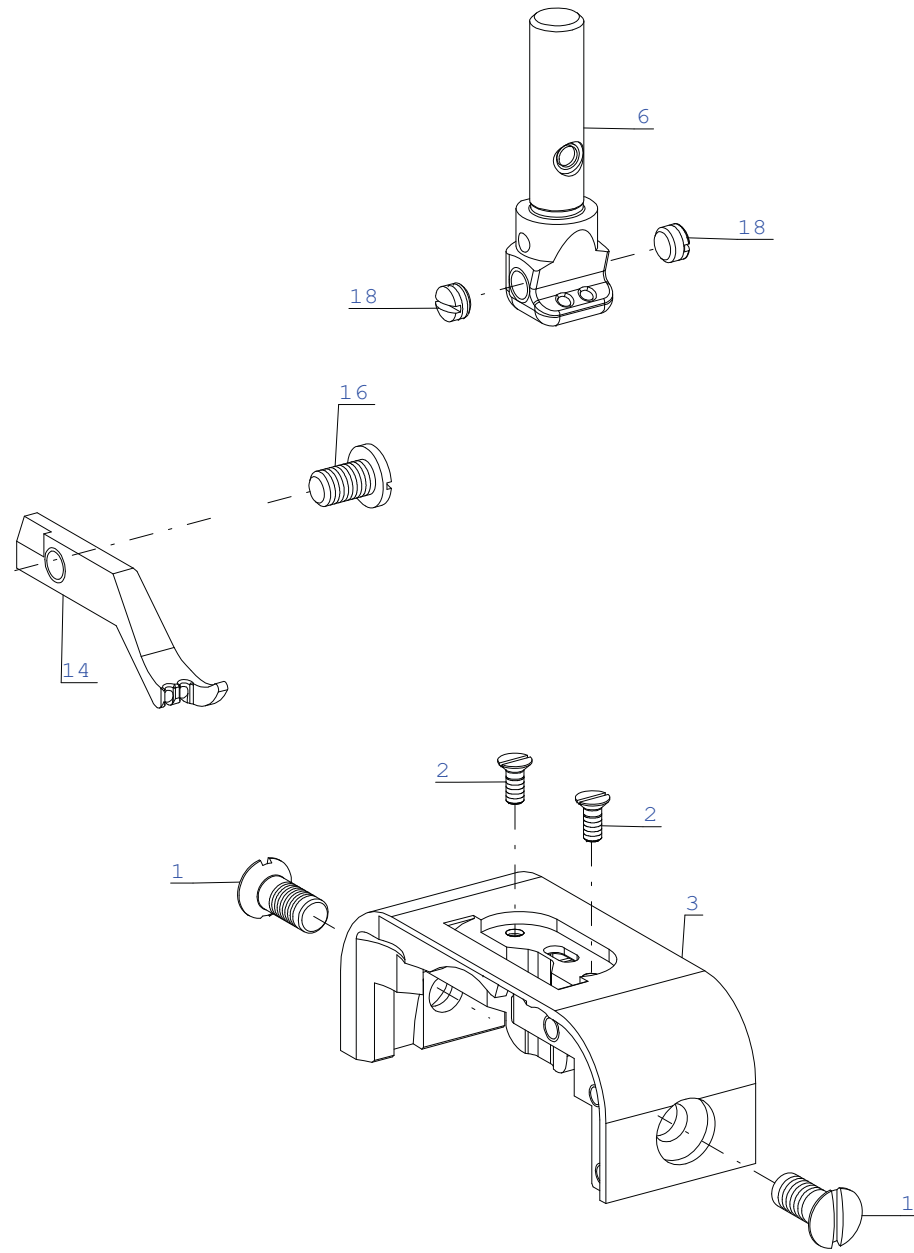
Pos. Det.	Dílec č. Part No.	Název	Denomination
--------------	----------------------	-------	--------------



M 152

Pos. Det.	Dílec č. Part No.	Název	Denomination
.....	S980 000152	ŠTEHOVÁ DESKA KOMPLETNÍ	THROAT PLATE CPL.
1	S080 123180	ŠROUB	SCREW
2	S080 126184	ŠROUB M2 x 5	SCREW M2 x 5
3	S080 811802	ŠTEHOVÁ DESKA	THROAT PLATE
6	S080 394205	JEHELNÍK	NEEDLE HOLDER
14	S080 623295	VODIČ JEHEL	NEEDLE GUIDE
16	S080 132112	ŠROUB	SCREW
18	S080 111109	ŠROUB	SCREW

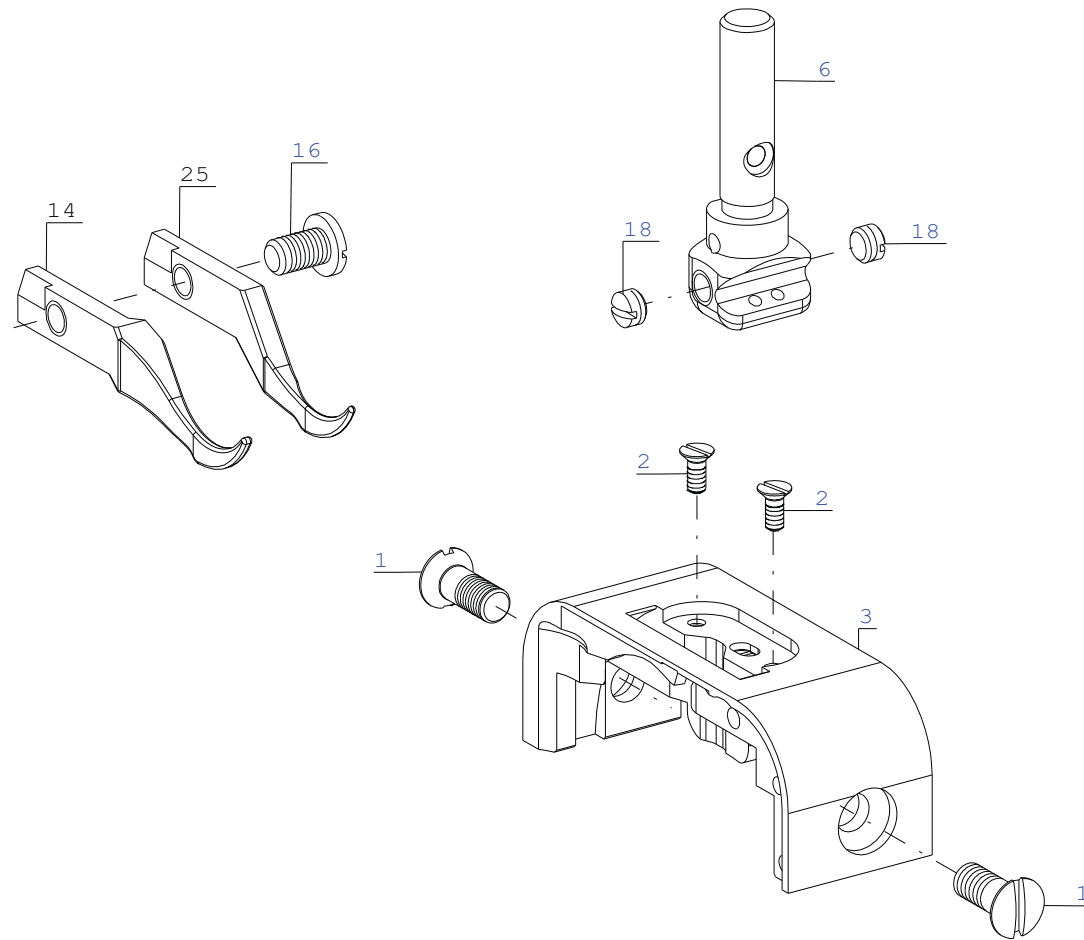
Pos. Det.	Dílec č. Part No.	Název	Denomination
--------------	----------------------	-------	--------------



M 167

Pos. Det.	Dílec č. Part No.	Název	Denomination
.....	S980 000167	STĚHOVÁ DESKA KOMPLETNÍ	THROAT PLATE CPL.
1	S080 123180	ŠROUB	SCREW
2	S080 126184	ŠROUB M2 x 5	SCREW M2 x 5
3	S080 811813	STĚHOVÁ DESKA	THROAT PLATE
6	S080 394206	JEHELNÍK	NEEDLE HOLDER
14	S080 623296	VODIČ JEHEL	NEEDLE GUIDE
16	S080 132112	ŠROUB	SCREW
18	S080 111109	ŠROUB	SCREW

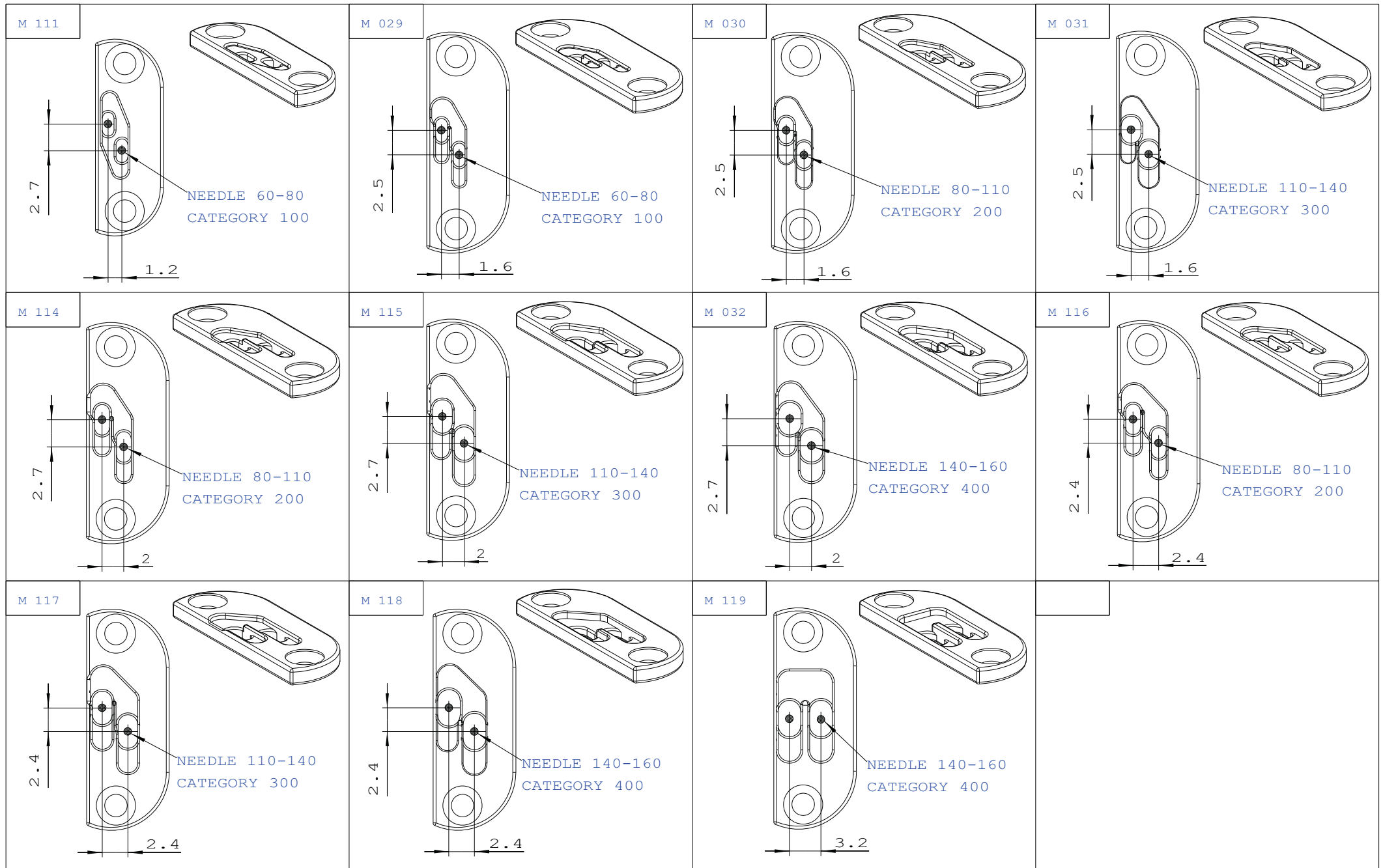
Pos. Det.	Dílec č. Part No.	Název	Denomination
--------------	----------------------	-------	--------------



M 306

Pos. Det.	Dílec č. Part No.	Název	Denomination
.....	S980 000306	ŠTEHOVÁ DESKA KOMPLETNÍ	THROAT PLATE CPL.
1	S080 123180	ŠROUB	SCREW
2	S080 126184	ŠROUB	SCREW
3	S080 811783	ŠTEHOVÁ DESKA	THROAT PLATE
6	S080 394161	JEHELNÍK	NEEDLE HOLDER
14	S080 623302	VODIČ JEHEL	NEEDLE GUIDE
16	S080 132112	ŠROUB	SCREW
18	S080 111109	ŠROUB	SCREW
25	S080 623300	VODIČ JEHEL	NEEDLE GUIDE

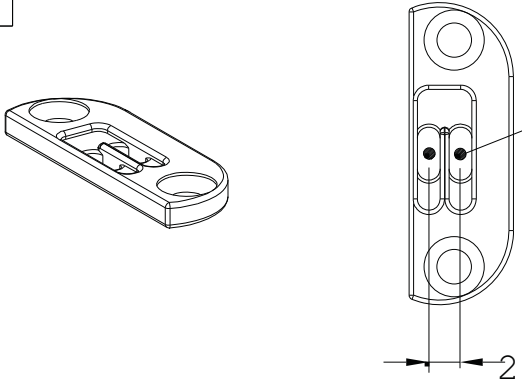
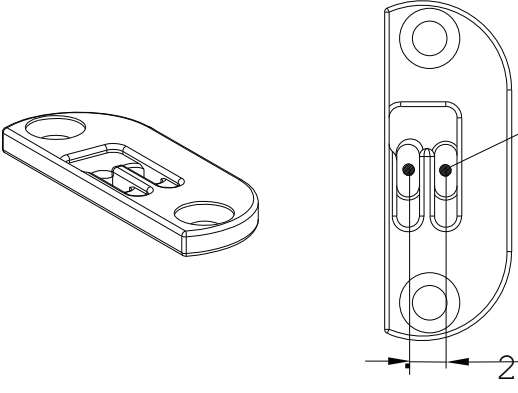
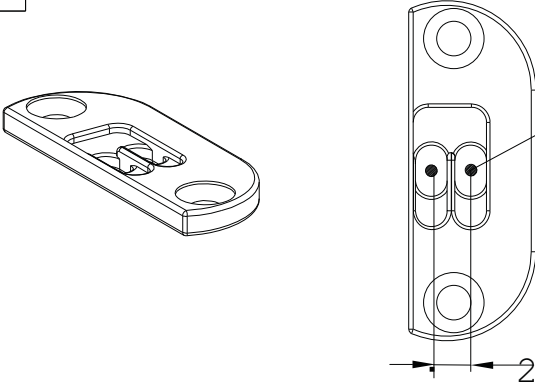
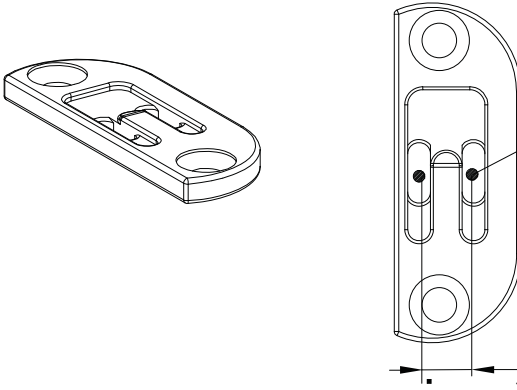
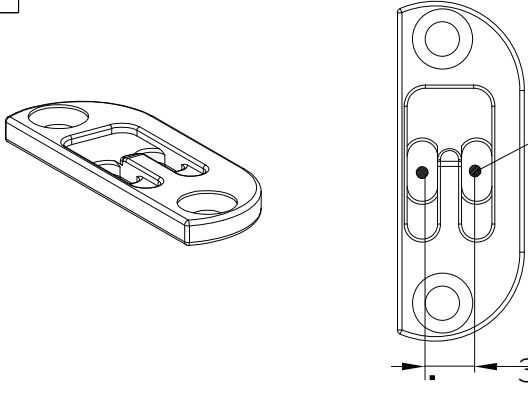
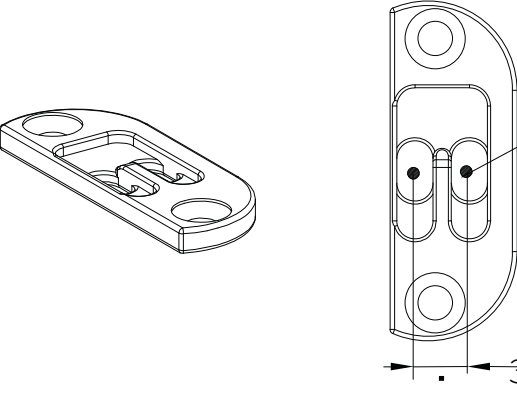
Pos. Det.	Dílec č. Part No.	Název	Denomination
--------------	----------------------	-------	--------------



M 111 M 029 M 030 M 031 M 114 M 115 M 032 M 116 M 117 M 118 M 119

Pos. Det.	Dílec č. Part No.	Název	Denomination
M 111 S980 000111	VLOŽKA STEHOVÉ DESKY	THROAT PLATE INSERT
M 029 S980 000029	VLOŽKA STEHOVÉ DESKY	THROAT PLATE INSERT
M 030 S980 000030	VLOŽKA STEHOVÉ DESKY	THROAT PLATE INSERT
M 031 S980 000031	VLOŽKA STEHOVÉ DESKY	THROAT PLATE INSERT
M 114 S980 000114	VLOŽKA STEHOVÉ DESKY	THROAT PLATE INSERT
M 115 S980 000115	VLOŽKA STEHOVÉ DESKY	THROAT PLATE INSERT
M 032 S980 000032	VLOŽKA STEHOVÉ DESKY	THROAT PLATE INSERT
M 116 S980 000116	VLOŽKA STEHOVÉ DESKY	THROAT PLATE INSERT
M 117 S980 000117	VLOŽKA STEHOVÉ DESKY	THROAT PLATE INSERT
M 118 S980 000118	VLOŽKA STEHOVÉ DESKY	THROAT PLATE INSERT
M 119 S980 000119	VLOŽKA STEHOVÉ DESKY	THROAT PLATE INSERT

Pos. Det.	Dílec č. Part No.	Název	Denomination

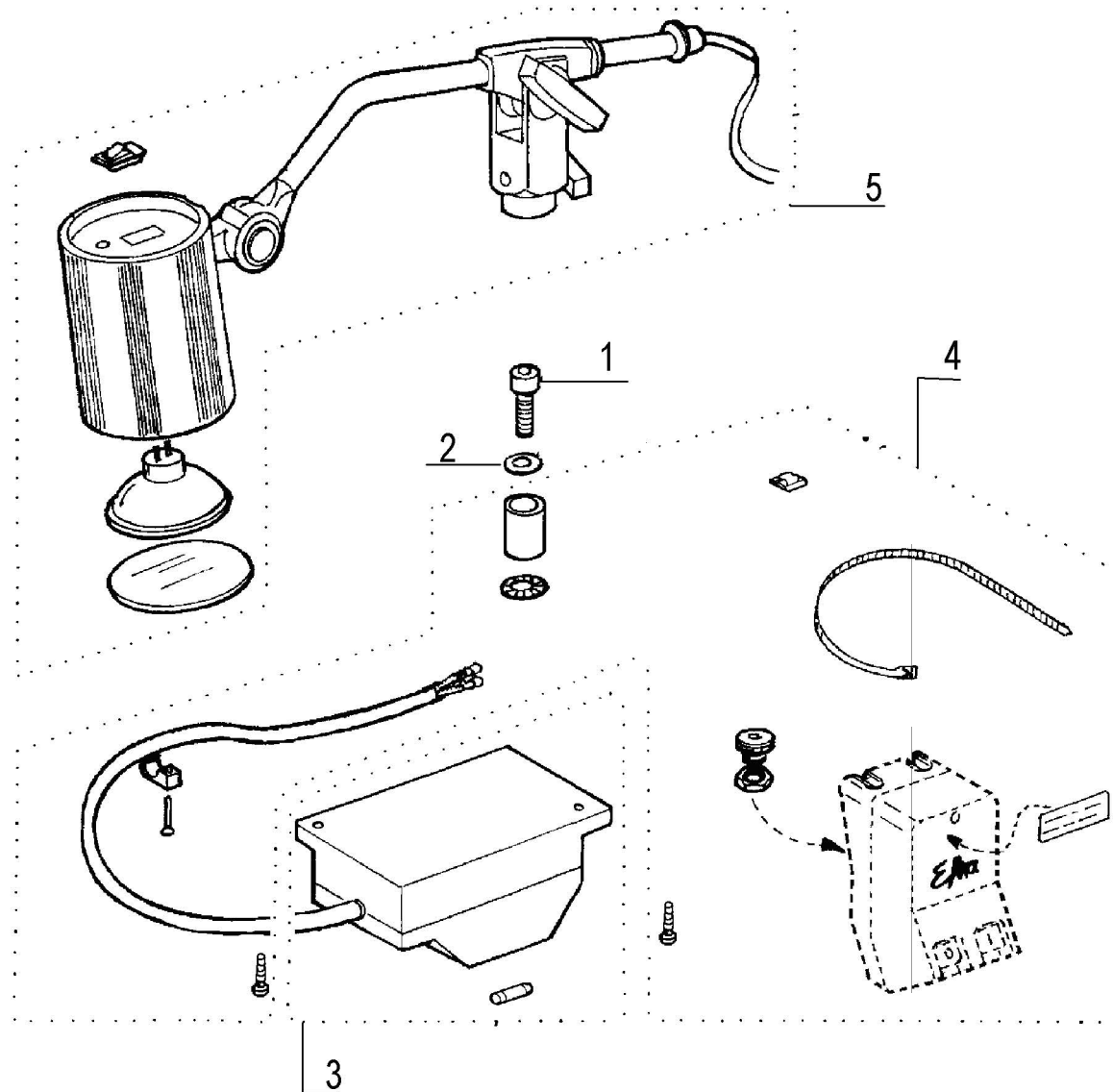
<p>M 153</p>  <p>NEEDLE 80-110 CATEGORY 200</p> <p>2</p>	<p>M 168</p>  <p>NEEDLE 80-110 CATEGORY 200</p> <p>2.4</p>
<p>M 169</p>  <p>NEEDLE 110-140 CATEGORY 300</p> <p>2.4</p>	<p>M 307</p>  <p>NEEDLE 80-110 CATEGORY 200</p> <p>3.6</p>
<p>M 308</p>  <p>NEEDLE 110-140 CATEGORY 300</p> <p>3.6</p>	<p>M 309</p>  <p>NEEDLE 140-160 CATEGORY 400</p> <p>3.6</p>

M 153 M 168 M 169 M 307 M 308 M 309

Pos. Det.	Dílec č. Part No.	Název	Denomination
M 153 S980 000153	VLOŽKA STEHOVÉ DESKY	THROAT PLATE INSERT
M 168 S980 000168	VLOŽKA STEHOVÉ DESKY	THROAT PLATE INSERT
M 169 S980 000169	VLOŽKA STEHOVÉ DESKY	THROAT PLATE INSERT
M 307 S980 000307	VLOŽKA STEHOVÉ DESKY	THROAT PLATE INSERT
M 308 S980 000308	VLOŽKA STEHOVÉ DESKY	THROAT PLATE INSERT
M 309 S980 000309	VLOŽKA STEHOVÉ DESKY	THROAT PLATE INSERT

Pos. Det.	Dílec č. Part No.	Název	Denomination
--------------	----------------------	-------	--------------

TAB. 43

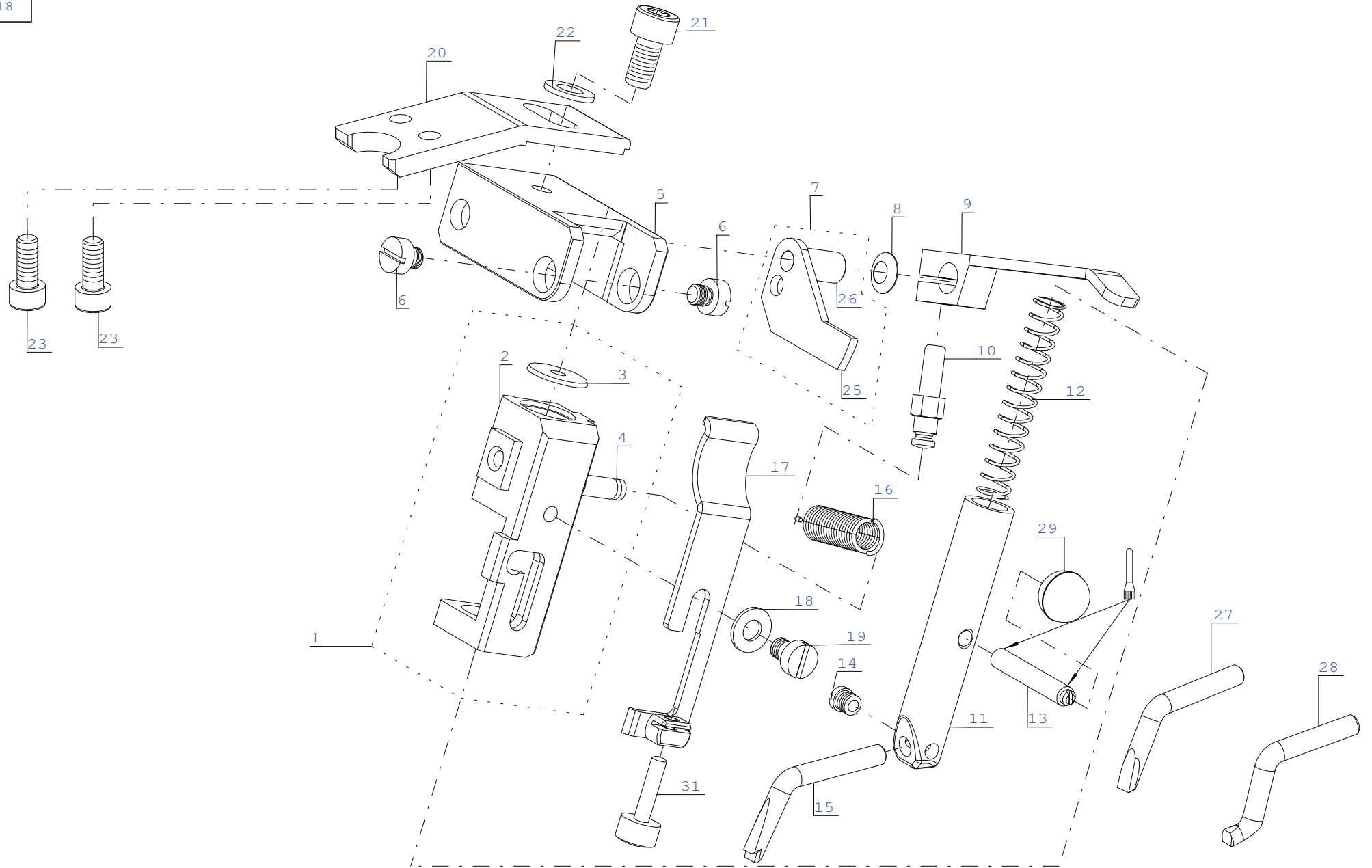


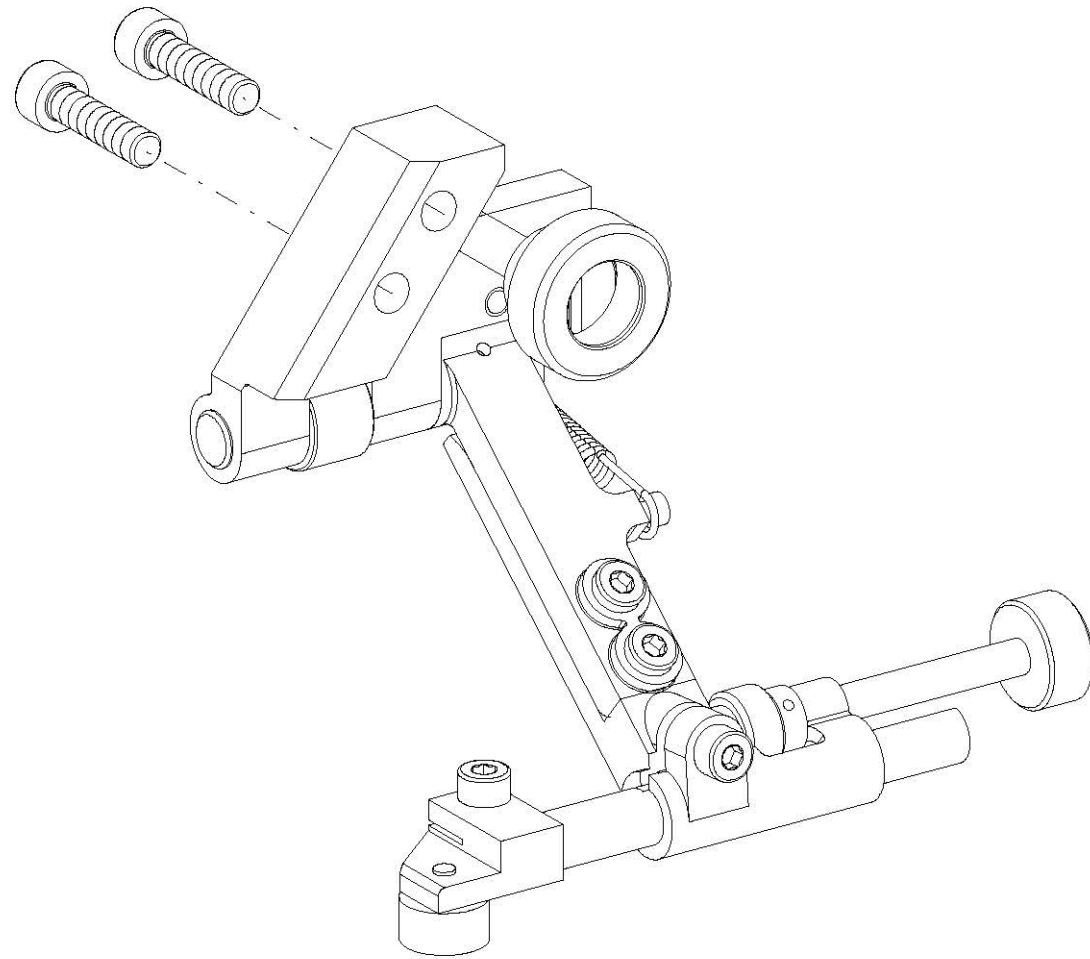
Z 012

Pos. Det.	Dílec č. Part No.	Název	Denomination
.....	S794 222012	OSVĚTLENÍ HALOGEN	LIGHTING HALOGEN
1	S080 120692	ŠROUB	SCREW
2	S080 190346	PODLOŽKA	WASHER
3	0798 500088	TRANSFORMÁTOR OSVĚTLENÍ	TRANSFORMER OF LIGHTING
4	0907 487519	SADA DÍLCŮ	SET OF PARTS
5	9822 510001	OSVĚTLENÍ	LIGHT

Pos. Det.	Dílec č. Part No.	Název	Denomination
--------------	----------------------	-------	--------------

TAB.45



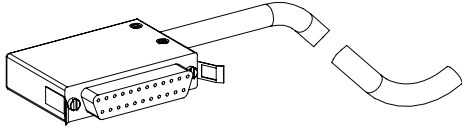
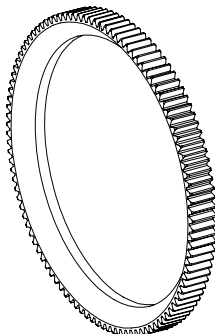
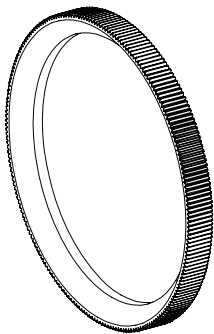
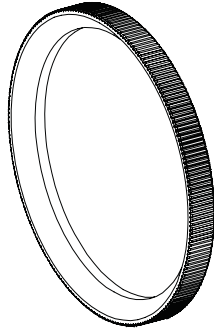




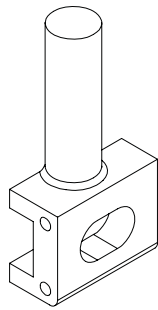
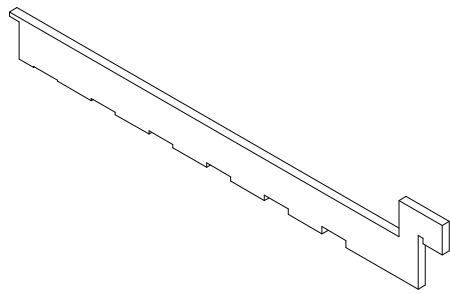
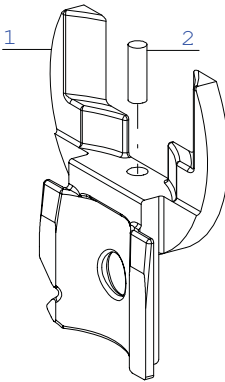
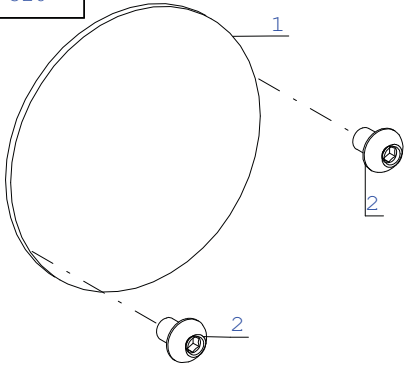


M 149

Pos. Det.	Dílec č. Part No.	Název Denomination
 S980 000149	VODIČ DÍLA SEWN WORK GUIDE

Pos. Det.	Dílec č. Part No.	Název Denomination
--------------	----------------------	-----------------------

TABÁ7

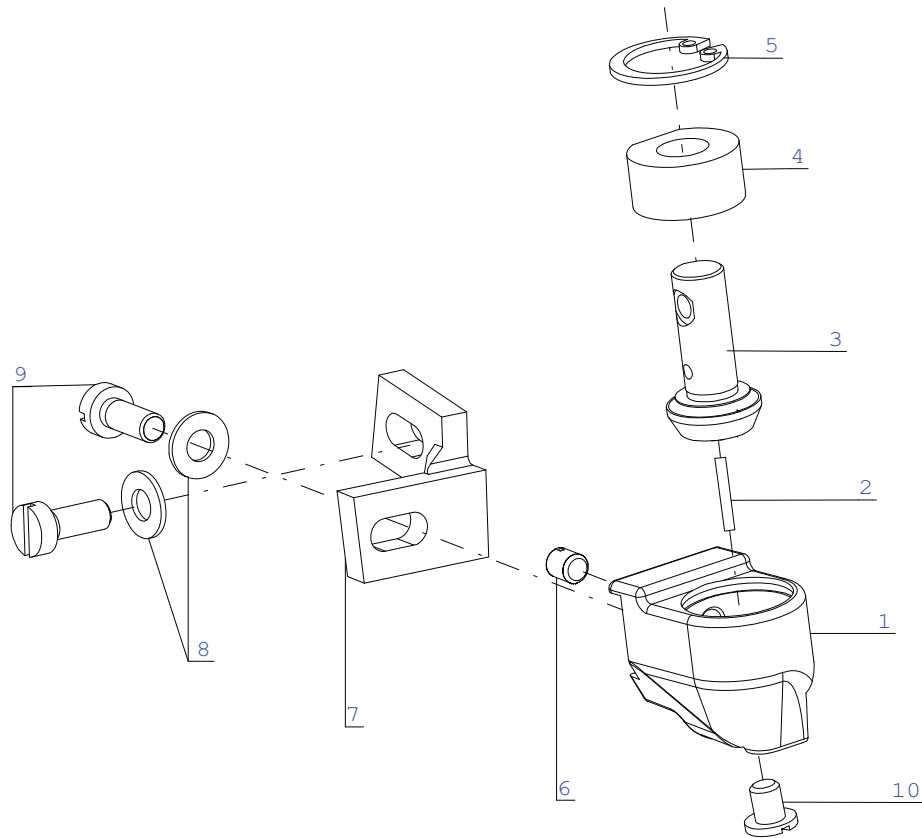
<p>M 055</p> 	<p>M 058</p> 	<p>M 059</p> 	<p>M 060</p> 
<p>M 132</p> 	<p>M 133</p> 	<p>M 134</p> 	<p>M 135</p> 
<p>M 194</p> 	<p>M 242</p> 	<p>M 516</p> 	<p>M 520</p> 

M 055 M 058 M 059 M 060 M 132 M 133 M 134 M 135 M 194 M 242 M 516 M 520

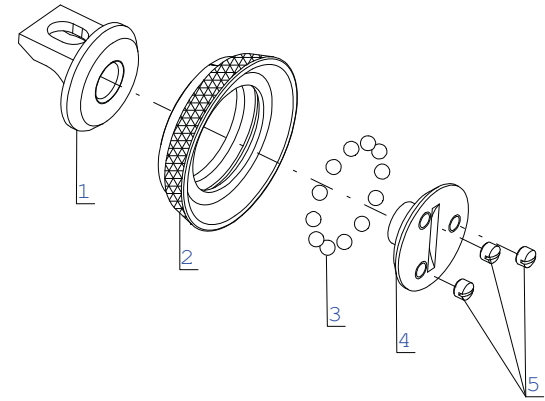
Pos. Det.	Dílec č. Part No.	Název	Denomination
M 055 S980 000055	PROPOJOVACÍ KABEL	CONNECTING CABLE
M 058 S980 000058	PODAVAČ 1,2	FEEDING WHEEL 1.2
M 059 S980 000059	PODAVAČ 0,6	FEEDING WHEEL 0.6
M 060 S980 000060	PODAVAČ 0,4	FEEDING WHEEL 0.4
M 132 S548 000255	JEHLA 134 KKLR č. 80	NEEDLE 134 KKLR No. 80
M 133 S548 000260	JEHLA 134 KKLR č. 90	NEEDLE 134 KKLR No. 90
M 134 S548 000312	JEHLA 134 KKLR č. 130	NEEDLE 134 KKLR No. 130
M 135 S548 000325	JEHLA 134 KKLR č. 160	NEEDLE 134 KKLR No. 160
M 194 S980 000194	DRŽÁK ZADNÍHO VODIČE	REAR GUIDE HOLDER
M 242 S548 000242	SEŘIZOVACÍ MĚRKA	ADJUSTABLE GAUGE
M 516	1 S080 442671	NOSIČ PODAVAČE	FEED CARRIER
	2 9041 102025	FILC	FELT
M 520 S980 000520	DÍLCE PRO STROJ BEZ ODSTŘIHU	PARTS FOR MACHINE WITHOUT TRIMMING
	1 S080 814483	VÍKO	COVER
	2 S309 738406	ŠROUB	SCREW

Pos. Det.	Dílec č. Part No.	Název	Denomination

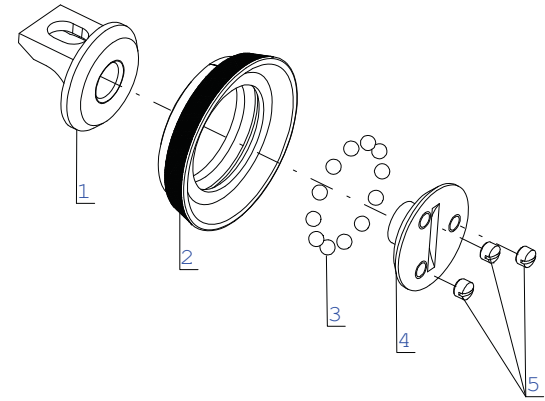
M 156



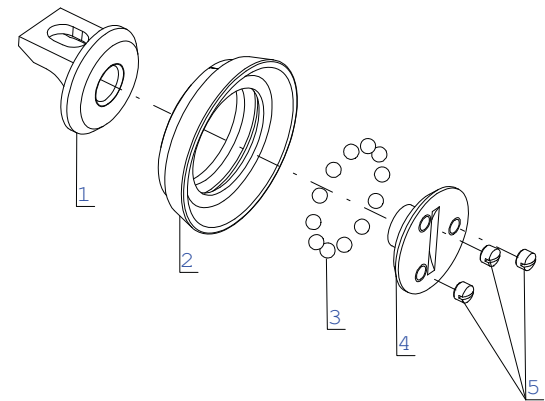
M 172



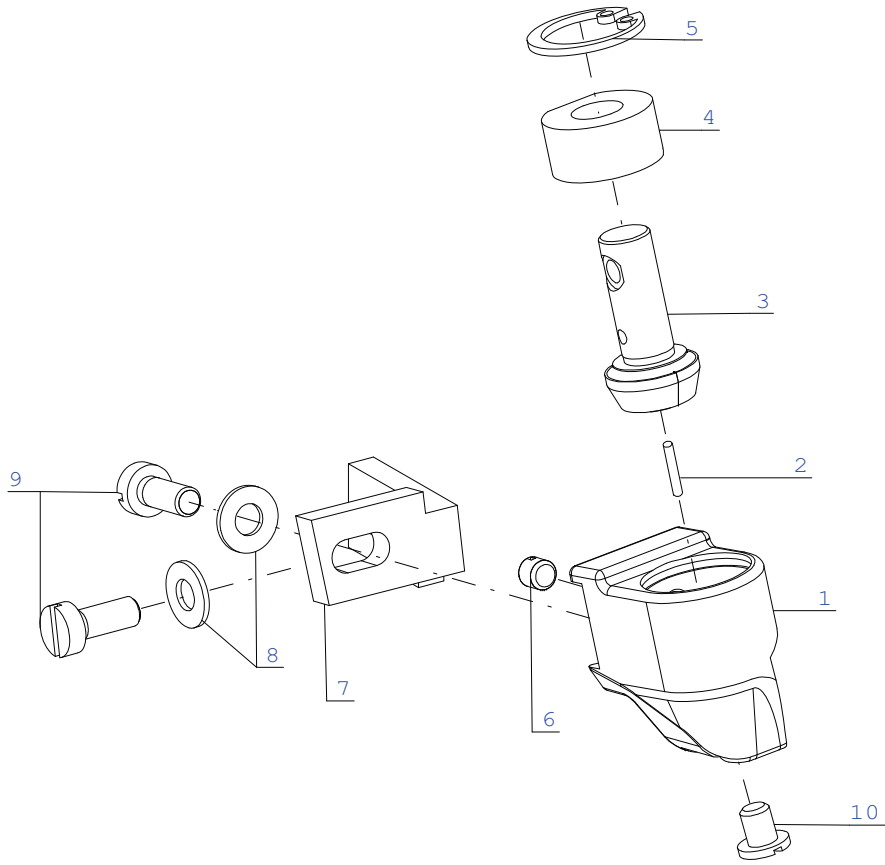
M 174



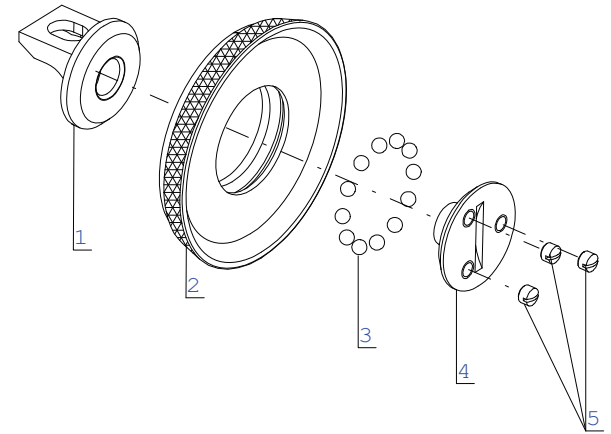
M 310



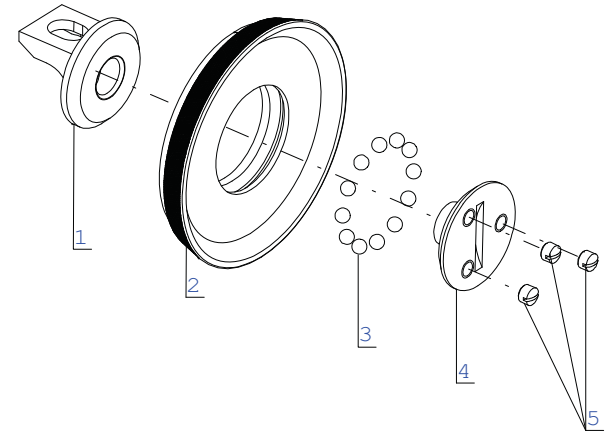
M 157



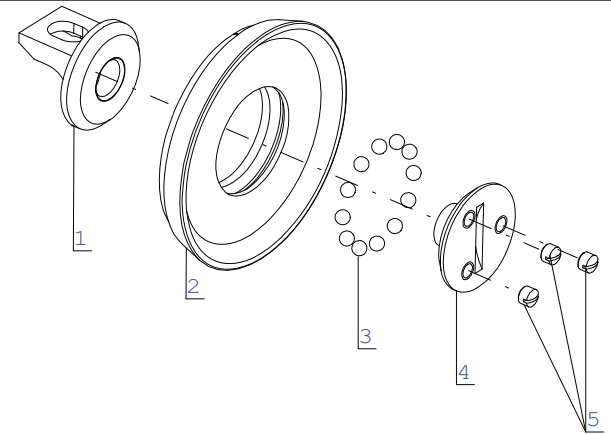
M 173



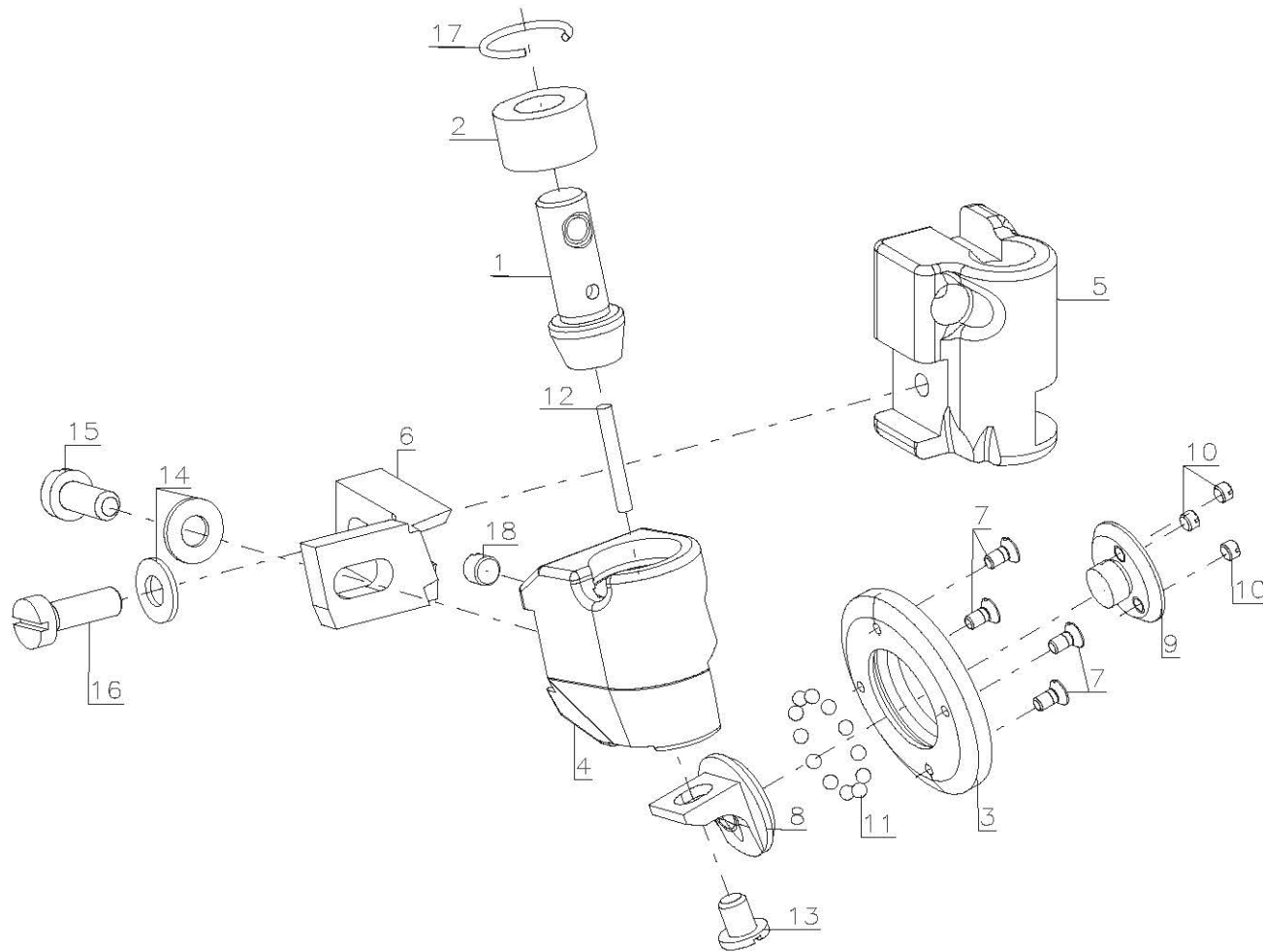
M 175



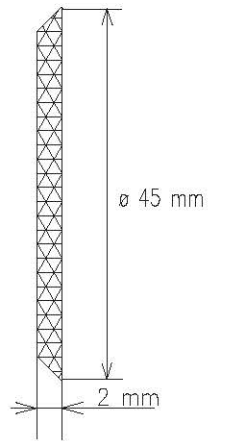
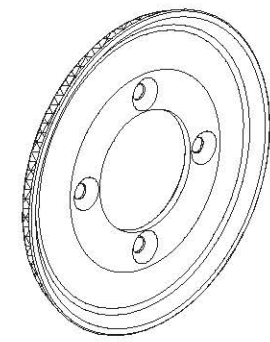
M 311



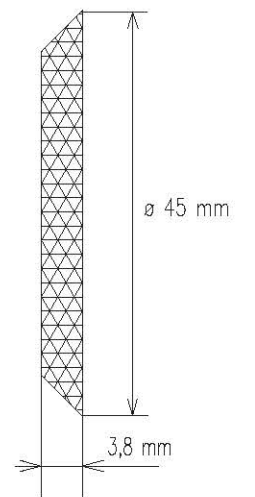
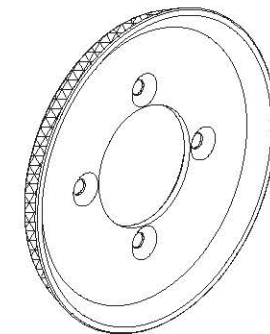
M 295



M 296



M 297



M 295 M 296 M 297

Pos. Det.	Dílec č. Part No.	Název	Denomination
M 295	S980 000295	DRŽÁK KOLEČKOVÉ PATKY	HOLDER FOR THE TOP ROLLER
1	S080 555048	PASTOREK	PINION
2	S080 410693	POUZDRO	CASE
3	S080 561064	OZUBENÉ KOLO	TOOTHED WHEEL
4	S980 000295	VIZ	VIZ S980 000295
5	S080 646494	OBJÍMKA DRŽÁKU	SLEEVE OF HOLDER
6	S980 000295	VIZ	VIZ S980 000295
7	S080 126189	ŠROUB	SCREW
8	S080 452051	DRŽÁK	HOLDER
9	S080 441679	ŠROUB	SCREW
10	S080 111303	ŠROUB	SCREW
11	S324 020052	KULIČKA	BALL
12	S980 000295	VIZ	VIZ S980 000295
13	S080 132240	ŠROUB	SCREW
14	S080 190353	PODLOŽKA	WASHER
15	S080 120226	ŠROUB	SCREW
16	S080 120227	ŠROUB	SCREW
17	S311 732014	POJ.KROUŽEK	RETAINING RING
18	S080 111212	ŠROUB	SCREW
M 296	S980 000296	KOLEČKO ø 45 mm	WHEEL ø 45 mm
M 297	S980 000297	KOLEČKO ø 45 mm	WHEEL ø 45 mm

Pos. Det.	Dílec č. Part No.	Název	Denomination